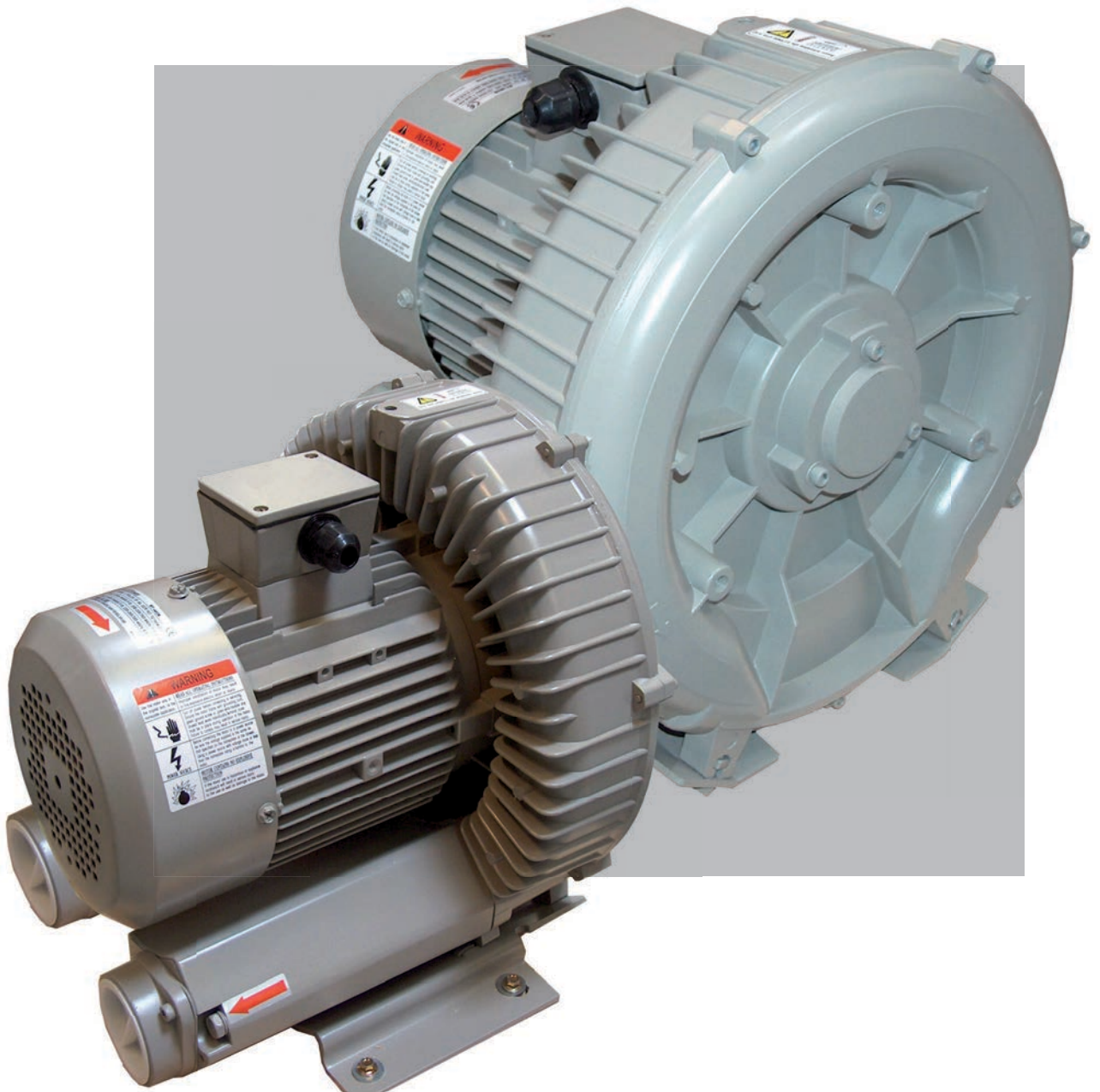
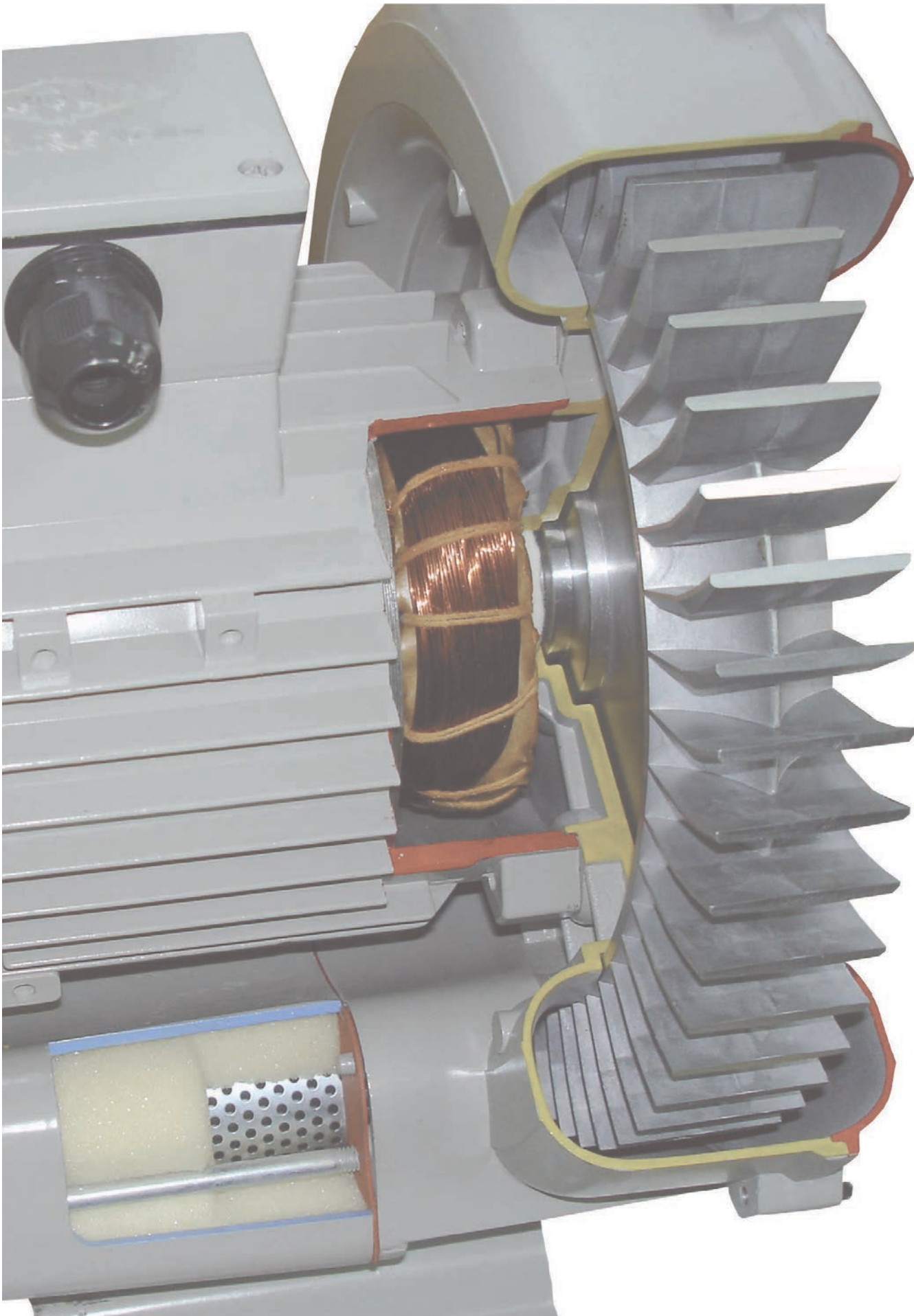


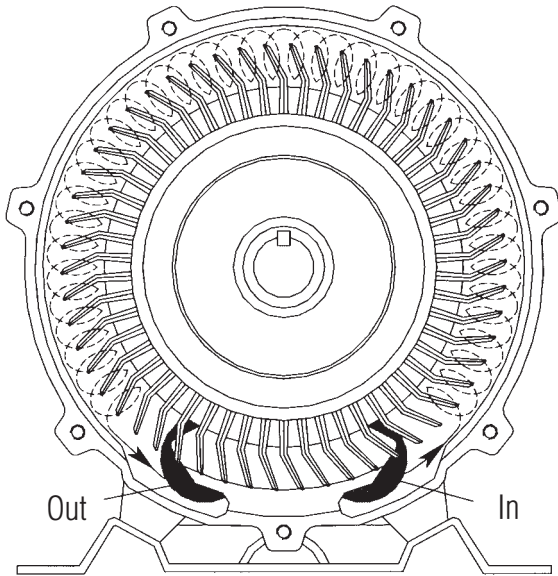


KLEE blower

Side channel blowers







Quiet

Equipped with low-noise, high-efficiency IP54 induction motor and specially designed mufflers, all blower series feature quiet operation.

Type number

Types with outer bearing are known by the type number (KBxxx).

Types with inner bearing are known by a "L" after the type number (KBxxxL), and are specially well suited for applications with hot air.

Mechanism Features

Three-dimensional blower impellers rotation enables the air between blades to accelerate along the radius direction. The air is forced to return back to the base of the impeller due to pressure difference, throwing it outward and forward through a spiral path. This action is repeated many times and causes the air to gain pressure, until it reaches the outlet port of the housing. The air is expelled from the impeller and discharged from the blower through the outlet.

Longer operation life

External bearing design allows bearings to operate in low temperature, features quick heat dissipation and uniform loading capacity. Lubrication oil is more durable and makes maintenance an easy job.

Easy installation

The base of all blower models is made with flexible steel plates that feature shock absorption. Fastened with screws. The bases can also be fixed through the screw holes on the front cover, enabling either vertical or horizontal installation as required.

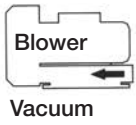
Long time operation

Made of aluminium alloy, all the KLEEblowers are lightweight and excellent in heat dissipation, thus allowing long time operation even under ambient temperatures reaching 40°C, insulation class F and H ensures better reliability.

Fully closed unit

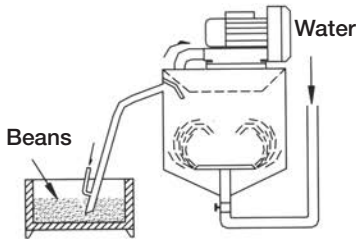
Multi-layer shaft seals are used to thoroughly separate motor coil from blower body, ensures excellent performance and prevents motor from damage.

Application examples

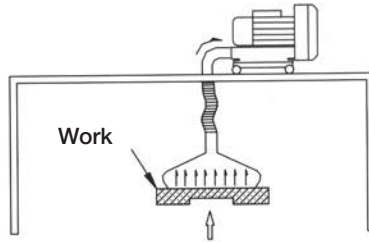


Side Channel vacuum pump application examples (for suction)

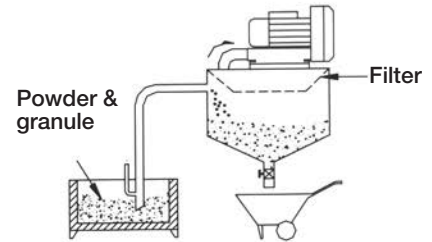
Food washing equipment



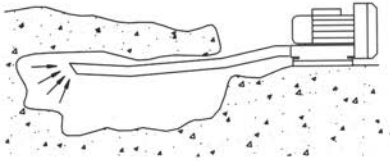
Work conveyance equipment



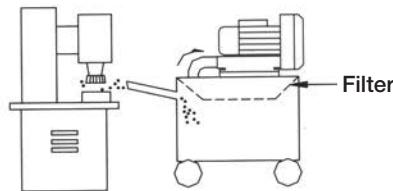
Powder & granule conveyer



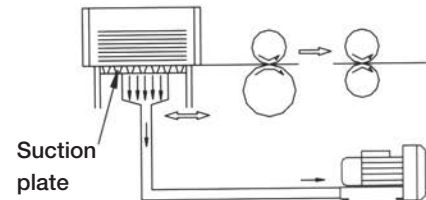
Suction at the working site



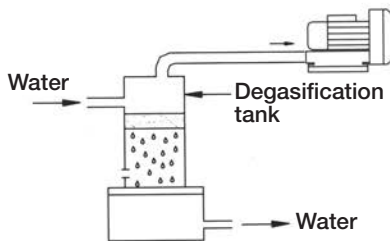
Sucking industrial dust



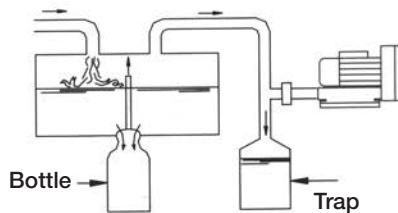
Paperboard conveyer



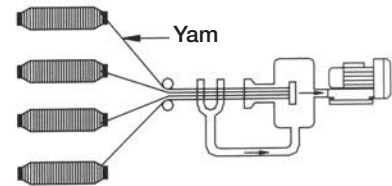
Degasification treatment



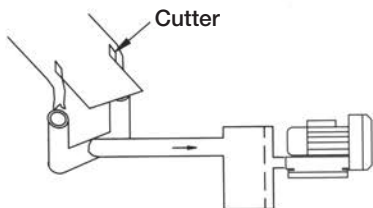
Bottle filling machine



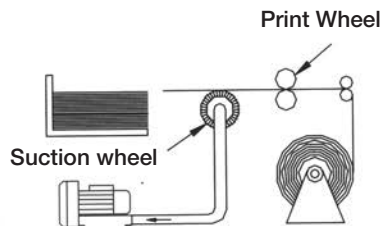
Automatic weaving machine



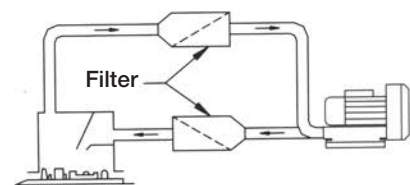
Paper cutting equipment

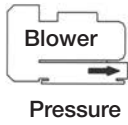


Printing paper conveyer



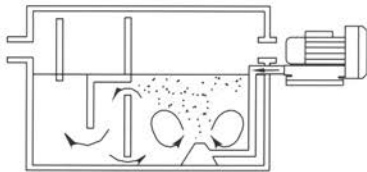
Dust-removing equipment



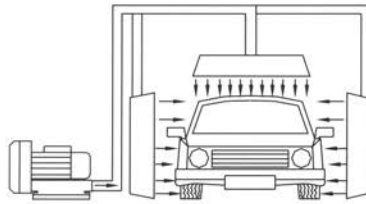


Side channel compressor application examples (blowing)

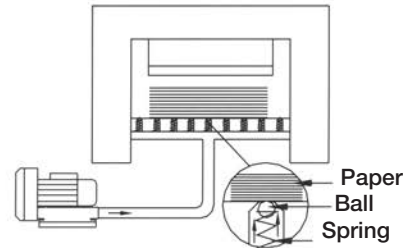
Purifying tank



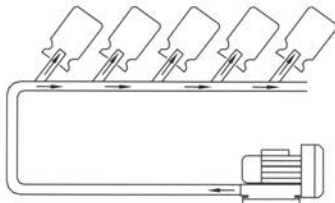
Car-wash blow-dry equipment



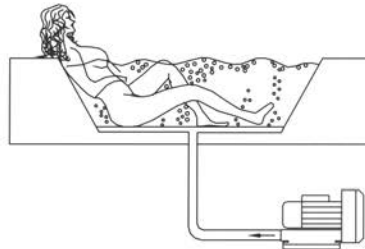
Floating element of paper cutter



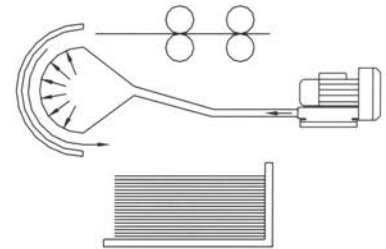
Bottle air-drying



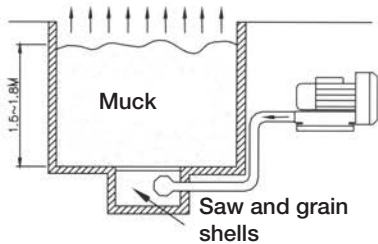
Bobble bath



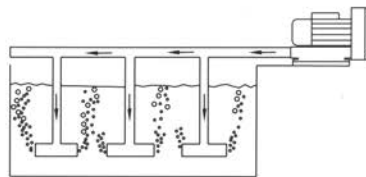
Air drying after printing



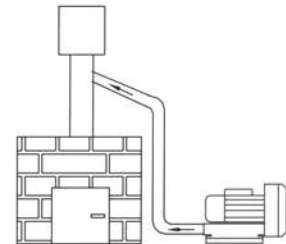
Fermentation



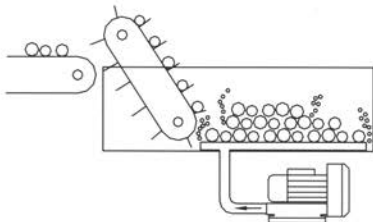
Oxygen supply for culture field



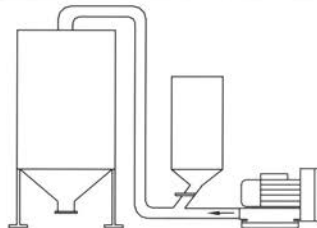
Combustion furnace



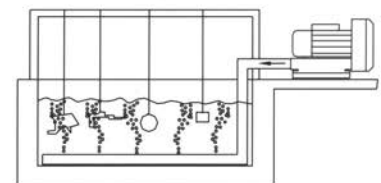
Vegetable & fruit washer



Powder and granule conveyor



Electrolyte stirrer



Technical data for KB-series 50 Hz

Single-stage side channel blower with air flow max to 1134 m³/hr and air pressure max. to 450 mbar.
 Two-stage side channel blower (high pressure) with air flow max. to 575 m³/hr and air pressure max. to 580 mbar.
 Two-stage side channel blower (large flow) with air flow max. to 850 m³/hr and air pressure max. to 270 mbar.

Technical data for 50 Hz IP54 3-phase (1-phase)

HIGH PRECISION

LOW VIBRATION

Type no.	Curve no.	Output (Kw)	Voltage (V) △ /Y (U1, V1, W1/U2,V2,W2)	Maximum air flow m ³ /min	Security top limit Vacuum/Pressure (mbar)	Noise level (dB)	Vacuum Pressure Relief valve
KB-129	21F	0,18	230/400 (220/240) (Different voltage on inquiry)	0,8	50/60	53	RV-03/RV-03
KB-129-1	21F	0,18		0,8	50/60	53	RV-03/RV-03
KB-129L	21F	0,18		0,8	50/60	53	RV-03/RV-03
KB-129	22F	0,2		0,8	70/70	53	RV-03/RV-03
KB-129-1	22F	0,2		0,8	70/70	53	RV-03/RV-03
KB-229	31F	0,4		1,4	110/130	58	RV-03/RV-03
KB-229-1	31F	0,4		1,4	110/130	58	RV-03/RV-03
KB-229L	32F	0,4		1,4	110/130	58	RV-03/RV-03
KB-229L-1	32F	0,4		1,4	110/130	58	RV-03/RV-03
KB-329	41F	0,75		2,4	140/140	63	RV-03/RV-03
KB-329-1	41F	0,75		2,4	140/140	63	RV-03/RV-03
KB-329L	42F	0,75		2,4	140/140	63	RV-03/RV-03
KB-329L-1	42F	0,75	2,4	140/140	63	RV-03/RV-03	
KB-329	43F	0,9	2,4	165/180	63	RV-03/RV-03	
KB-339	44F	1,3	2,4	175/200	63	RV-03/RV-03	
KB-429	51F	0,9	230/400 (220/240) (Different voltage on inquiry)	3,6	130/130	70	RV-03/RV-03
KB-429-1	51F	0,9		3,6	130/130	70	RV-03/RV-03
KB-429	52F	1,3		3,6	180/180	70	RV-03/RV-03
KB-429-1	52F	1,3		3,6	180/180	70	RV-03/RV-03
KB-429L	52F	1,3		3,6	180/180	70	RV-03/RV-03
KB-429L-1	52F	1,3		3,6	180/180	70	RV-03/RV-03
KB-429-1	53F	1,5		3,6	210/220	70	RV-03/RV-03
KB-429	53F	1,75		3,6	210/220	70	RV-03/RV-03
KB-429L	54F	1,75		3,6	210/220	70	RV-03/RV-03
KB429	55F	2,2		3,6	220/270	70	RV-03/RV-03
KB-529	61F	2,2		5,2	230/230	72	RV-03/RV-03
KB-529-1	61F	2,2		5,2	230/230	72	RV-03/RV-03
KB-529L	61F	2,2	5,2	230/230	72	RV-03/RV-03	
KB-629	62F	3,4	5,2	260/280	72	RV-03/RV-03	
KB-629-1	62F	3,4	5,2	260/280	72	RV-03/RV-03	
KB-629L	62F	3,4	5,2	260/280	72	RV-03/RV-03	
KB-639	63F	4	5,2	270/330	72	RV-03/RV-02	
KB-729	81F	5,5	230/400 400/690 (Different voltage on inquiry)	9,2	270/300	74	RV-02/RV-02
KB-829	82F	7,5		9,2	300/400	74	RV-02/RV-02
KB-919	91F	9		18,9	200/200	76	3xRV-03/3xRV-03
KB-929	92F	13		18,9	300/300	76	3xRV-03/3xRV-03
KB-939	93F	20	18,9	350/450	76	3xRV-03/3xRV-03	
KB-2308	101F	0,75	230/400 220/240 (Different voltage on inquiry)	1,5	200/240	60	RV-03/RV-03
KB-2309-1	101F	0,75		1,5	200/240	60	RV-03/RV-03
KB-3315-1	110F	1,5		2,6	250/300	66	RV-03/RV-02
KB-3319	111F	1,75		2,6	275/320	66	RV-03/RV-02
KB-3326	112F	2,2		2,6	280/375	66	RV-03/RV-02
KB-4337	121F	3,4		3,7	345/410	74	RV-02/RV-02
KB-4346	122F	4,0	3,7	355/495	74	RV-02/RV-02	
KB-6346	131F	4,0	230/400 400/690 (Different voltage on inquiry)	5,2	360/380	75	RV-02/RV-02
KB-6355	132F	5,5		5,2	410/515	75	RV-02/2xRV-02
KB-6375	133F	7,5		5,2	420/580	75	RV-02/2xRV-02
KB-6455	142F	5,5		7,8	200/220	75	RV03/RV-03
KB-6475	143F	7,5		7,8	240/270	75	RV03/RV-03
KB-8310	151F	7,5		9,6	320/320	76	RV-02/2xRV-02
KB-8315	152F	11		9,6	430/600	76	RV-02/2xRV-03
KB-8320	153F	16		9,6	450/700	76	RV-02/2xRV-03
KB-8410	161F	7,5		14,2	150/150	76	3xRV-03/2xRV-03
KB-8415	162F	11		14,2	260/260	76	2xRV-03/2xRV-03

The technical data is based on 1 bar (abs) free atmosphere and 20°C with Inlet air density 1,2 kg/m³, includes 10% variance. All rights reserved for technical specification changes without prior approval from any source outside BRD. KLEE, when considered necessary based on our research and development.

Technical data for KB-series 60 Hz

Single-stage side channel blower with air flow max. to 1344m³/hr and air pressure max. to 430 mbar.
 Two-stage side channel blower (high pressure) with air flow max. to 654 m³/hr and air pressure max. to 780 mbar.
 Two-stage side channel blower (large flow) with air flow max. to 990 m³/hr and air pressure max. to 270 mbar.

Technical data for 60 Hz IP54 3-phase (1-phase)

HIGH PRECISION

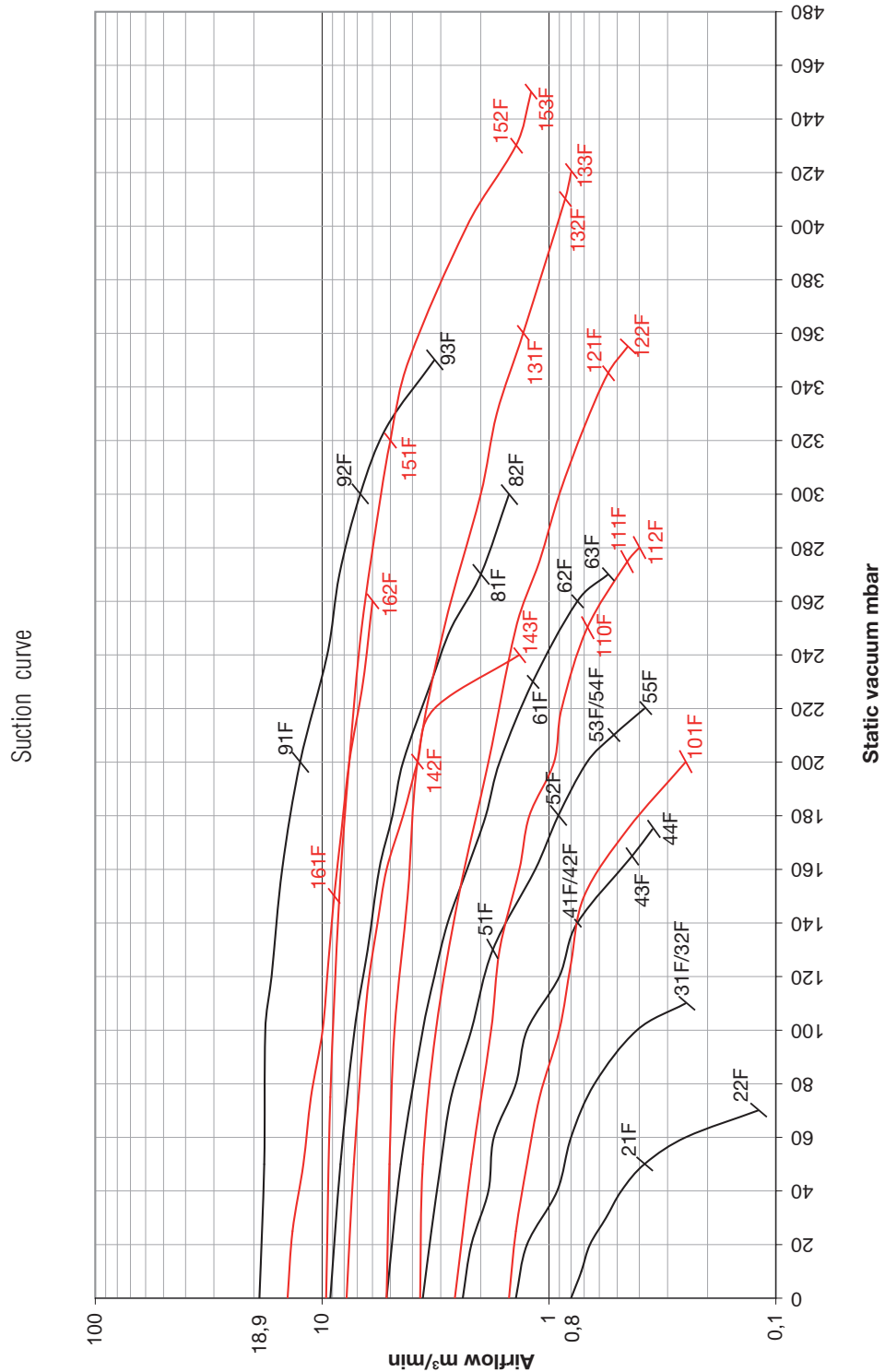
LOW VIBRATION

Type no.	Curve no.	Output (Kw)	Voltage (V) △ /Y (U1, V1, W1/U2,V2,W2)	Maximum air flow m ³ /min	Security top limit Vacuum/Pressure (mbar)	Noise level (dB)	Vacuum Pressure Relief valve
KB-129	21S	0,2	276/480 264-288 (Different voltage on inquiry)	1.0	70/70	55	RV-03/RV-03
KB-129-1	21S	0,2		1.0	70/70	55	RV-03/RV-03
KB-129L	21S	0,2		1.0	70/70	55	RV-03/RV-03
KB-129	22S	0,25		1.0	75/80	55	RV-03/RV-03
KB-129-1	22S	0,25		1.0	75/80	55	RV-03/RV-03
KB-229	31S	0,5		1.7	140/170	61	RV-03/RV-03
KB-229-1	31S	0,5		1.7	140/170	61	RV-03/RV-03
KB-229L	32S	0,5		1.7	140/170	61	RV-03/RV-03
KB-229L-1	32S	0,5		1.7	140/170	61	RV-03/RV-03
KB-329	41S	0,85		276/480 264-288 (Different voltage on inquiry)	2.9	140/140	64
KB-329-1	41S	0,85	2.9		140/140	64	RV-03/RV-03
KB-329L	42S	0,85	2.9		140/140	64	RV-03/RV-03
KB-329L-1	42S	0,85	2.9		140/140	64	RV-03/RV-03
KB-329	43S	1,1	2.9		180/180	64	RV-03/RV-03
KB-339	44S	1,5	2.9		205/230	64	RV-03/RV-03
KB-429	51S	1,1	4.2		140/140	73	RV-03/RV-03
KB-429-1	51S	1,1	4.2		140/140	73	RV-03/RV-03
KB-429	52S	1,5	4.2		180/180	73	RV-03/RV-03
KB-429-1	52S	1,5	4.2		180/180	73	RV-03/RV-03
KB-429L	52S	1,5	4.2	180/180	73	RV-03/RV-03	
KB-429L-1	52S	1,5	4.2	180/180	73	RV-03/RV-03	
KB-429-1	53S	1,75	4.2	210/220	73	RV-03/RV-03	
KB-429	53S	1,9	4.2	210/220	73	RV-03/RV-03	
KB-429L	54S	1,9	4.2	210/220	73	RV-03/RV-03	
KB429	55S	2,6	4.2	255/300	73	RV-03/RV-03	
KB-529	61S	2,6	276/480 480/828 (Different voltage on inquiry)	6.2	220/220	77	RV-03/RV-03
KB-529-1	61S	2,6		6.2	220/220	77	RV-03/RV-03
KB-529L	61S	2,6		6.2	220/220	77	RV-03/RV-03
KB-629	62S	3,7		6.2	280/280	77	RV-03/RV-03
KB-629-1	62S	3,7		6.2	280/280	77	RV-03/RV-03
KB-629L	62S	3,7		6.2	280/280	77	RV-03/RV-03
KB-639	63S	4,6		6.2	315/320	77	RV-03/RV-02
KB-729	81S	6,3		10.9	290/290	79	RV-02/RV-02
KB-829	82S	8,6		10.9	350/400	79	RV-02/RV-02
KB-919	91S	11		22.4	190/190	81	3xRV-03/3xRV-03
KB-929	92S	15	22.4	290/290	81	3xRV-03/3xRV-03	
KB-939	93S	23	22.4	370/430	81	3xRV-03/3xRV-03	
KB-2308	101S	0,85	276/480 (264/288) (Different voltage on inquiry)	1.8	245/245	66	RV-03/RV-03
KB-2309-1	101S	0,85		1.8	245/245	66	RV-03/RV-03
KB-3315-1	110S	1,75		3.0	275/250	69	RV-03/RV03
KB-3319	111S	1,9		3.0	300/300	69	RV-03/RV-02
KB-3326	112S	2,6		3.0	350/435	69	RV-03/RV-02
KB-4337	121S	3,7		4.5	405/415	77	RV-02/RV-02
KB-4346	122S	4,6		4.5	410/500	77	RV-02/RV-02
KB-6346	131S	4,6		6.2	380/380	79	RV-02/RV-02
KB-6355	132S	6,3		6.2	425/530	79	RV-02/2xRV-02
KB-6375	133S	8,6		6.2	450/675	79	RV-02/2xRV-02
KB-6455	142S	6,3	276/480 480/828 (Different voltage on inquiry)	9.2	200/220	79	RV-03/2xRV-02
KB-6475	143S	8,6		9.2	260/270	79	RV-03/RV-03
KB-8310	151S	8,6		10.9	320/320	81	RV02/2xRV-02
KB-8315	152S	13		10.9	455/600	81	RV-02/2xRV-03
KB-8320	153S	19		10.9	650/780	81	RV-02/2xRV-03
KB-8410	161S	8,6		16.5	150/150	81	3xRV-03/3xRV-03
KB-8415	162S	13		16.5	260/260	81	2xRV-03/2xRV-03

Insulation class F (<2,0 kW) - Insulation class H (>2,0 kW)

50 Hz Suction curve

VACUUMPUMP



Installation altitude:

Max. of 1000 m (3280 ft.) above sea level

Operation:

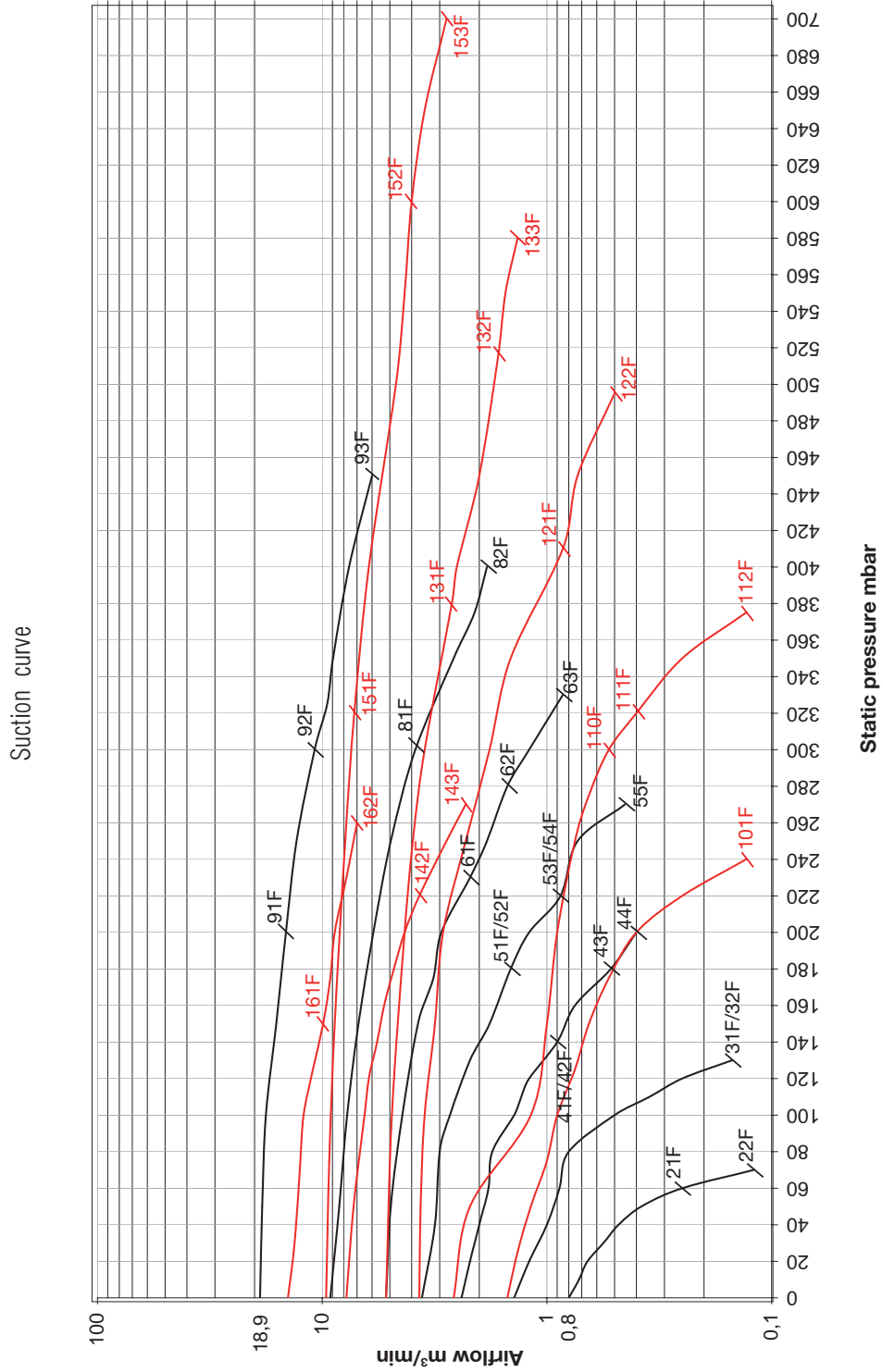
Surface of the vacuum pump/compressor may reach 60°C (320°F) in operation.

Do not dispose of acid, alkali or flammable gas, otherwise explosion or damage may occur.

Required conditions: Dry - Dust free - Low vibration (<2,8 mm/sec.) - Ambient temp. <40° C (104° F)

50 Hz Blowing curve

COMPRESSOR



Technical data 50 Hz vacuum

		Single stage										
Model		Static vacuum										
Series 1		0	10	20	30	40	50	60	70	80	90	100
		mbar	mbar	mbar	mbar	mbar	mbar	mbar	mbar	mbar	mbar	mbar
KB-129 0.18 kW	Airflow m ³ /min	0.8	0.72	0.66	0.56	0.48	0.38	-	-	-	-	-
KB-129-1 0.18 kW		0.8	0.72	0.66	0.56	0.48	0.38	-	-	-	-	-
KB-129L 0.18 kW		0.8	0.72	0.66	0.56	0.48	0.38	-	-	-	-	-
KB-129 0.2 kW		0.8	0.72	0.66	0.56	0.48	0.38	0.25	0.12	-	-	-
KB-129-1 0.2 kW		0.8	0.72	0.66	0.56	0.48	0.38	0.25	0.12	-	-	-
Series 2		0	20	40	60	80	100	110	120	130	140	150
		mbar	mbar	mbar	mbar	mbar	mbar	mbar	mbar	mbar	mbar	mbar
KB-229 0.4 kW	Airflow m ³ /min	1.4	1.25	0.92	0.8	0.63	0.41	0.25	-	-	-	-
KB-229-1 0.4 kW		1.4	1.25	0.92	0.8	0.63	0.41	0.25	-	-	-	-
KB-229L 0.4 kW		1.4	1.25	0.92	0.8	0.63	0.41	0.25	-	-	-	-
KB-229L-1 0.4 kW		1.4	1.25	0.92	0.8	0.63	0.41	0.25	-	-	-	-
Series 3		0	20	40	60	80	100	120	140	165	175	185
		mbar	mbar	mbar	mbar	mbar	mbar	mbar	mbar	mbar	mbar	mbar
KB-329 0.75 kW	Airflow m ³ /min	2.4	2.2	1.85	1.75	1.4	1.25	0.9	0.75	-	-	-
KB-329-1 0.75 kW		2.4	2.2	1.85	1.75	1.4	1.25	0.9	0.75	-	-	-
KB-329L 0.75 kW		2.4	2.2	1.85	1.75	1.4	1.25	0.9	0.75	-	-	-
KB-329L-1 0.75 kW		2.4	2.2	1.85	1.75	1.4	1.25	0.9	0.75	-	-	-
KB-329 0.9 kW		2.4	2.2	1.85	1.75	1.4	1.25	0.9	0.75	0.43	-	-
KB-339 1.3kW		2.4	2.2	1.85	1.75	1.4	1.25	0.9	0.75	0.43	0.35	-
Series 4		0	25	50	75	100	130	160	180	200	210	220
		mbar	mbar	mbar	mbar	mbar	mbar	mbar	mbar	mbar	mbar	mbar
KB-429 0.9 kW	Airflow m ³ /min	3.6	3.3	3.0	2.7	2.2	1.77	-	-	-	-	-
KB-429-1 0.9 kW		3.6	3.3	3.0	2.7	2.2	1.77	-	-	-	-	-
KB-429 1.3 kW		3.6	3.3	3.0	2.7	2.2	1.77	1.15	0.91	-	-	-
KB-429-1 1.3 kW		3.6	3.3	3.0	2.7	2.2	1.77	1.15	0.91	-	-	-
KB-429L 1.3 kW		3.6	3.3	3.0	2.7	2.2	1.77	1.15	0.91	-	-	-
KB-429L-1 1.3 kW		3.6	3.3	3.0	2.7	2.2	1.77	1.15	0.91	-	-	-
KB-429-1 1.75 kW		3.6	3.3	3.0	2.7	2.2	1.77	1.15	0.91	0.68	0.52	-
KB-429 1.75 kW		3.6	3.3	3.0	2.7	2.2	1.77	1.15	0.91	0.68	0.52	-
KB-429L 1.75kW		3.6	3.3	3.0	2.7	2.2	1.77	1.15	0.91	0.68	0.52	-
KB-429 2.2 kW		3.6	3.3	3.0	2.7	2.2	1.77	1.15	0.91	0.68	0.52	0.38

The technical data is based on 1 bar (abs.) atmospheric pressure and 20°C and with an air density of 1.2 kg/m³, incl. 10% variance. We reserve the right to change technical specifications without further notice, if this is necessary, based on test and development.

Technical data 50 Hz vacuum

Single stage (continued)											
Model	Static vacuum										
Series 5 & 6	0	50	100	120	140	160	180	200	230	260	270
	mbar	mbar	mbar	mbar	mbar	mbar	mbar	mbar	mbar	mbar	mbar
KB-529 2.2 kW	5.2	4.5	3.6	3.2	2.8	2.3	1.9	1.65	1.18	-	-
KB-529-1 2.2 kW	5.2	4.5	3.6	3.2	2.8	2.3	1.9	1.65	1.18	-	-
KB-529L 2.2 kW	5.2	4.5	3.6	3.2	2.8	2.3	1.9	1.65	1.18	-	-
KB-629 3.4 kW	5.2	4.5	3.6	3.2	2.8	2.3	1.9	1.65	1.18	0.75	-
KB-629-1 3.4 kW	5.2	4.5	3.6	3.2	2.8	2.3	1.9	1.65	1.18	0.75	-
KB-629L 3.4 kW	5.2	4.5	3.6	3.2	2.8	2.3	1.9	1.65	1.18	0.75	-
KB-639 4.0 kW	5.2	4.5	3.6	3.2	2.8	2.3	1.9	1.65	1.18	0.75	0.55
Series 7 & 8	0	50	100	130	160	180	200	230	250	270	300
	mbar	mbar	mbar	mbar	mbar	mbar	mbar	mbar	mbar	mbar	mbar
KB-729 5.5 kW	9.2	8.3	7.2	6.3	5.6	4.9	4.4	3.3	2.7	2.0	-
KB-829 7.5 kW	9.2	8.3	7.2	6.3	5.6	4.9	4.4	3.3	2.7	2.0	1.5
Series 9	0	50	100	120	160	200	240	270	300	325	350
	mbar	mbar	mbar	mbar	mbar	mbar	mbar	mbar	mbar	mbar	mbar
KB-919 9.0 kW	18.9	18	17.8	16.7	15	12.5	-	-	-	-	-
KB-929 13.0 kW	18.9	18	17.8	16.7	15	12.5	9.5	8.4	6.8	-	-
KB-939 20.0 kW	18.9	18	17.8	16.7	15	12.5	9.5	8.4	6.8	5.2	3.2
Double stage											
Model	Static vacuum										
Series 23	0	25	50	75	100	125	150	175	200	210	220
	mbar	mbar	mbar	mbar	mbar	mbar	mbar	mbar	mbar	mbar	mbar
KB-2308 0.75 kW	1.5	1.4	1.25	1.1	0.9	0.8	0.7	0.45	0.25	-	-
KB-2309-1 0.75 kW	1.5	1.4	1.25	1.1	0.9	0.8	0.7	0.45	0.25	-	-
Series 33	0	50	100	130	160	180	200	220	250	275	280
	mbar	mbar	mbar	mbar	mbar	mbar	mbar	mbar	mbar	mbar	mbar
KB-3315-1 1,5 kW	2.6	2.2	1.8	1.65	1.35	1.22	0.95	0.88	0.68	-	-
KB-3319 1.75 kW	2.6	2.2	1.8	1.65	1.35	1.22	0.95	0.88	0.68	0.45	-
KB-3326 2.2 kW	2.6	2.2	1.8	1.65	1.35	1.22	0.95	0.88	0.68	0.45	0.4
Series 43	0	50	100	150	200	250	275	300	325	345	355
	mbar	mbar	mbar	mbar	mbar	mbar	mbar	mbar	mbar	mbar	mbar
KB-4337 3.4 kW	3.7	3.6	3.15	2.5	1.85	1.4	1.1	0.9	0.7	0.55	-
KB-4346 4.0 kW	3.7	3.6	3.15	2.5	1.85	1.4	1.1	0.9	0.7	0.55	0.45

The technical data is based on 1 bar (abs.) atmospheric pressure and 20°C and with an air density of 1.2 kg/m³, incl. 10% variance. We reserve the right to change technical specifications without further notice, if this is necessary, based on test and development.

Technical data 50 Hz vacuum

		Double stage (continued)										
Model		Static vacuum										
Series 63		0	50	100	150	200	250	300	330	360	410	420
		mbar	mbar	mbar	mbar	mbar	mbar	mbar	mbar	mbar	mbar	mbar
KB-6346 4.0 kW	Airflow m ³ /min	5.2	5.05	4.8	4.2	3.8	2.9	2.0	1.7	1.3	-	-
KB-6355 5.5 kW		5.2	5.05	4.8	4.2	3.8	2.9	2.0	1.7	1.3	0.85	-
KB-6375 7.5 kW		5.2	5.05	4.8	4.2	3.8	2.9	2.0	1.7	1.3	0.85	0.8
Series 64		0	50	100	120	140	160	180	200	220	240	250
		mbar	mbar	mbar	mbar	mbar	mbar	mbar	mbar	mbar	mbar	mbar
KB-6455 5.5 kW	Airflow m ³ /min	7.8	7.25	6.55	6.2	5.7	5.2	4.4	3.8	-	-	-
KB-6475 7.5 kW		7.8	7.25	6.55	6.2	5.7	5.2	4.4	3.8	3.2	1.35	-
Series 83		0	75	150	200	250	300	320	350	400	430	450
		mbar	mbar	mbar	mbar	mbar	mbar	mbar	mbar	mbar	mbar	mbar
KB-8310 7.5 kW	Airflow m ³ /min	9.6	9.2	8.4	7.6	6.7	5.5	5.0	-	-	-	-
KB-8315 11.0 kW		9.6	9.2	8.4	7.6	6.7	5.5	5.0	4.15	2.3	1.4	-
KB-8320 19.0 kW		9.6	9.2	8.4	7.6	6.7	5.5	5.0	4.15	2.3	1.4	1.2
Series 84		0	25	50	75	100	125	150	175	200	230	260
		mbar	mbar	mbar	mbar	mbar	mbar	mbar	mbar	mbar	mbar	mbar
KB-8410 7.5 kW	Airflow m ³ /min	14.2	13.5	12.1	11.2	9.95	9.4	8.85	-	-	-	-
KB-8415 11.0 kW		14.2	13.5	12.1	11.2	9.95	9.4	8.85	8.2	7.6	6.6	6.0

The technical data is based on 1 bar (abs.) atmospheric pressure and 20°C and with an air density of 1.2 kg/m³, incl. 10% variance. We reserve the right to change technical specifications without further notice, if this is necessary, based on test and development.

		Single stage										
Model	Static pressure											
Series 1		0	10	20	30	40	50	60	70	80	90	100
		mbar	mbar	mbar	mbar	mbar	mbar	mbar	mbar	mbar	mbar	mbar
KB-129 0.18 kW	Airflow m ³ /min	0.8	0.72	0.66	0.56	0.48	0.38	0.25	-	-	-	-
KB-129-1 0.18 kW		0.8	0.72	0.66	0.56	0.48	0.38	0.25	-	-	-	-
KB-129L 0.18 kW		0.8	0.72	0.66	0.56	0.48	0.38	0.25	-	-	-	-
KB-129 0.2 kW		0.8	0.72	0.66	0.56	0.48	0.38	0.25	0.12	-	-	-
KB-129-1 0.2 kW		0.8	0.72	0.66	0.56	0.48	0.38	0.25	0.12	-	-	-
Series 2		0	20	40	60	80	100	110	120	130	140	150
		mbar	mbar	mbar	mbar	mbar	mbar	mbar	mbar	mbar	mbar	mbar
KB-229 0.4 kW	Airflow m ³ /min	1.4	1.2	1.0	0.88	0.8	0.5	0.35	0.25	0.15	-	-
KB-229-1 0.4 kW		1.4	1.2	1.0	0.88	0.8	0.5	0.35	0.25	0.15	-	-
KB-229L 0.4 kW		1.4	1.2	1.0	0.88	0.8	0.5	0.35	0.25	0.15	-	-
KB-229L-1 0.4 kW		1.4	1.2	1.0	0.88	0.8	0.5	0.35	0.25	0.15	-	-
Series 3		0	20	40	60	80	100	120	140	160	180	200
		mbar	mbar	mbar	mbar	mbar	mbar	mbar	mbar	mbar	mbar	mbar
KB-329 0.75 kW	Airflow m ³ /min	2.4	2.2	2.0	1.82	1.75	1.4	1.2	0.9	-	-	-
KB-329-1 0.75 kW		2.4	2.2	2.0	1.82	1.75	1.4	1.2	0.9	-	-	-
KB-329L 0.75 kW		2.4	2.2	2.0	1.82	1.75	1.4	1.2	0.9	-	-	-
KB-329L-1 0.75 kW		2.4	2.2	2.0	1.82	1.75	1.4	1.2	0.9	-	-	-
KB-329 0.9 kW		2.4	2.2	2.0	1.82	1.75	1.4	1.2	0.9	0.75	0.52	-
KB-339 1.3kW		2.4	2.2	2.0	1.82	1.75	1.4	1.2	0.9	0.75	0.52	0.4
Series 4		0	40	80	100	130	150	180	200	220	250	270
		mbar	mbar	mbar	mbar	mbar	mbar	mbar	mbar	mbar	mbar	mbar
KB-429 0.9 kW	Airflow m ³ /min	3.6	3.15	3.0	2.7	2.2	1.8	1.45	-	-	-	-
KB-429-1 0.9 kW		3.6	3.15	3.0	2.7	2.2	1.8	1.45	-	-	-	-
KB-429 1.3 kW		3.6	3.15	3.0	2.7	2.2	1.8	1.45	-	-	-	-
KB-429-1 1.3 kW		3.6	3.15	3.0	2.7	2.2	1.8	1.45	-	-	-	-
KB-429L 1.3 kW		3.6	3.15	3.0	2.7	2.2	1.8	1.45	-	-	-	-
KB-429L-1 1.3 kW		3.6	3.15	3.0	2.7	2.2	1.8	1.45	-	-	-	-
KB-429-1 1.75 kW		3.6	3.15	3.0	2.7	2.2	1.8	1.45	1.2	0.87	-	-
KB-429 1.75 kW		3.6	3.15	3.0	2.7	2.2	1.8	1.45	1.2	0.87	-	-
KB-429L 1.75kW		3.6	3.15	3.0	2.7	2.2	1.8	1.45	1.2	0.87	-	-
KB-429 2.2 kW		3.6	3.15	3.0	2.7	2.2	1.8	1.45	1.2	0.87	0.73	0.45

The technical data is based on 1 bar (abs.) atmospheric pressure and 20°C and with an air density of 1.2 kg/m³, incl. 10% variance. We reserve the right to change technical specifications without further notice, if this is necessary, based on test and development.

Technical data 50 Hz pressure/compressor

		Single stage (continued)										
Model		Static pressure										
Series 5 & 6		0	50	100	150	175	200	230	250	280	300	330
		mbar	mbar	mbar	mbar	mbar	mbar	mbar	mbar	mbar	mbar	mbar
KB-529 2.2 kW	Airflow m ³ /min	5.2	4.95	4.4	3.75	3.2	2.95	2.2	-	-	-	-
KB-529-1 2.2 kW		5.2	4.95	4.4	3.75	3.2	2.95	2.2	-	-	-	-
KB-529L 2.2 kW		5.2	4.95	4.4	3.75	3.2	2.95	2.2	-	-	-	-
KB-629 3.4 kW		5.2	4.95	4.4	3.75	3.2	2.95	2.2	1.85	1.5	-	-
KB-629-1 3.4 kW		5.2	4.95	4.4	3.75	3.2	2.95	2.2	1.85	1.5	-	-
KB-629L 3.4 kW		5.2	4.95	4.4	3.75	3.2	2.95	2.2	1.85	1.5	-	-
KB-639 4.0 kW		5.2	4.95	4.4	3.75	3.2	2.95	2.2	1.85	1.5	1.2	0.85
Series 7 & 8		0	50	100	150	200	250	300	325	350	375	400
		mbar	mbar	mbar	mbar	mbar	mbar	mbar	mbar	mbar	mbar	mbar
KB-729 5.5 kW	Airflow m ³ /min	9.2	8.4	7.75	6.9	5.92	4.95	3.85	-	-	-	-
KB-829 7.5 kW		9.2	8.4	7.75	6.9	5.92	4.95	3.85	3.25	2.6	2.1	1.85
Series 9		0	50	100	150	200	250	300	325	350	400	450
		mbar	mbar	mbar	mbar	mbar	mbar	mbar	mbar	mbar	mbar	mbar
KB-919 9.0 kW	Airflow m ³ /min	18.9	18.5	17.8	16.0	14.5	-	-	-	-	-	-
KB-929 13.0 kW		18.9	18.5	17.8	16.0	14.5	13.0	10.8	-	-	-	-
KB-939 20.0 kW		18.9	18.5	17.8	16.0	14.5	13.0	10.8	9.5	8.95	7.6	6.0
		Double stage										
Model		Static pressure										
Series 23		0	25	50	75	100	125	150	175	200	220	240
		mbar	mbar	mbar	mbar	mbar	mbar	mbar	mbar	mbar	mbar	mbar
KB-2308 0.75 kW	Airflow m ³ /min	1.5	1.35	1.18	1.0	0.9	0.75	0.65	0.53	0.4	0.25	0.13
KB-2309-1 0.75 kW		1.5	1.35	1.18	1.0	0.9	0.75	0.65	0.53	0.4	0.25	0.13
Series 33		0	50	100	150	200	250	275	300	320	350	375
		mbar	mbar	mbar	mbar	mbar	mbar	mbar	mbar	mbar	mbar	mbar
KB-3315-1 1.75 kW	Airflow m ³ /min	2.6	2.2	1.18	1.0	0.9	0.75	0.65	0.53	-	-	-
KB-3319 1.75 kW		2.6	2.2	1.18	1.0	0.9	0.75	0.65	0.53	0.4	-	-
KB-3326 2.2 kW		2.6	2.2	1.18	1.0	0.9	0.75	0.65	0.53	0.4	0.25	0.13
Series 43		0	50	100	150	200	250	300	350	410	450	495
		mbar	mbar	mbar	mbar	mbar	mbar	mbar	mbar	mbar	mbar	mbar
KB-4337 3.4 kW	Airflow m ³ /min	3.7	3.65	3.5	3.15	2.9	2.3	1.8	1.45	0.85	-	-
KB-4346 4.0 kW		3.7	3.65	3.5	3.15	2.9	2.3	1.8	1.45	0.85	0.73	0.5

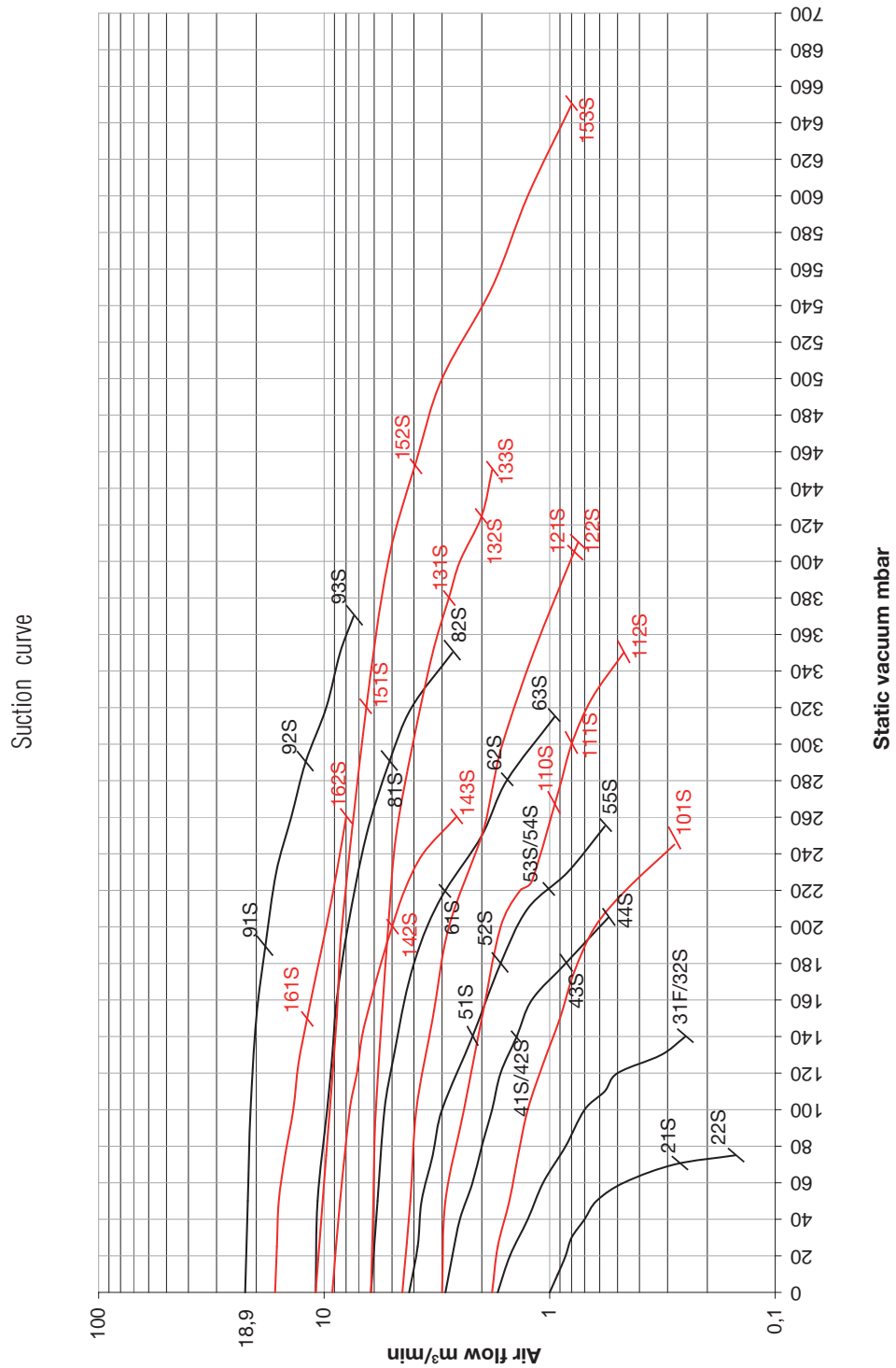
The technical data is based on 1 bar (abs.) atmospheric pressure and 20°C and with an air density of 1.2 kg/m³, incl. 10% variance. We reserve the right to change technical specifications without further notice, if this is necessary, based on test and development.

		Double stage (continued)										
Model	Static pressure											
Series 63		0	100	200	250	300	380	400	450	515	550	580
		mbar	mbar	mbar	mbar	mbar	mbar	mbar	mbar	mbar	mbar	mbar
KB-6346 4.0 kW	Airflow m ³ /min	5.2	4.9	4.3	3.95	3.5	2.65	-	-	-	-	-
KB-6355 5.5 kW		5.2	4.9	4.3	3.95	3.5	2.65	2.52	2.0	1.65	-	-
KB-6375 7.5 kW		5.2	4.9	4.3	3.95	3.5	2.65	2.52	2.0	1.65	1.53	1.35
Series 64		0	50	100	120	140	160	180	200	220	250	270
		mbar	mbar	mbar	mbar	mbar	mbar	mbar	mbar	mbar	mbar	mbar
KB-6455 5.5 kW	Airflow m ³ /min	7.8	7.25	6.48	6.2	5.7	5.3	4.8	4.3	3.7	-	-
KB-6475 7.5 kW		7.8	7.25	6.48	6.2	5.7	5.3	4.8	4.3	3.7	2.8	2.3
Series 83		0	75	150	250	320	400	500	550	600	650	700
		mbar	mbar	mbar	mbar	mbar	mbar	mbar	mbar	mbar	mbar	mbar
KB-8310 7.5 kW	Airflow m ³ /min	9.6	9.3	8.8	7.9	7.2	-	-	-	-	-	-
KB-8315 11.0 kW		9.6	9.3	8.8	7.9	7.2	6.2	4.7	4.3	4.0	-	-
KB-8320 19.0 kW		9.6	9.3	8.8	7.9	7.2	6.2	4.7	4.3	4.0	3.5	2.8
Series 84		0	25	50	75	100	125	150	175	200	230	260
		mbar	mbar	mbar	mbar	mbar	mbar	mbar	mbar	mbar	mbar	mbar
KB-8410 7.5 kW	Airflow m ³ /min	14.2	13.4	12.9	12.5	12.1	11.0	9.9	-	-	-	-
KB-8415 11.0 kW		14.2	13.4	12.9	12.5	12.1	11.0	9.9	9.2	8.8	7.8	7.0

The technical data is based on 1 bar (abs.) atmospheric pressure and 20°C and with an air density of 1.2 kg/m³, incl. 10% variance. We reserve the right to change technical specifications without further notice, if this is necessary, based on test and development.

60 Hz Suction curve

VACUUMPUMP



Installation altitude:

Max. of 1000 m (3280 ft.) above sea level

Operation:

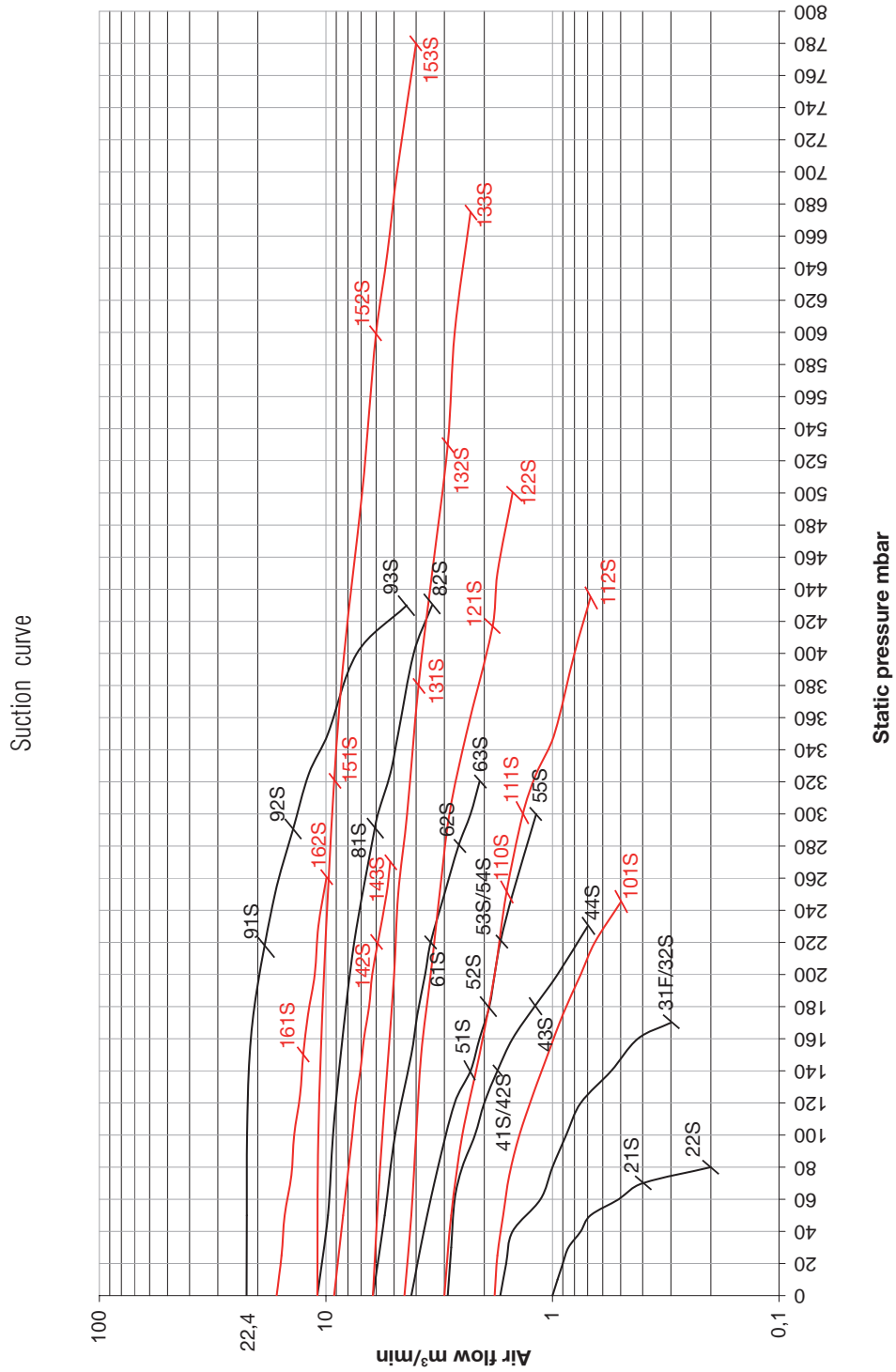
Surface of the vacuum pump/compressor may reach 60°C (320°F) in operation.

Do not dispose of acid, alkali or flammable gas, otherwise explosion or damage may occur.

Required conditions: Dry - Dust free - Low vibration (<2,8 mm/sec.) - Ambient temp. <40° C (104° F)

60 Hz Blowing curve

COMPRESSOR



Technical data 60 Hz vacuum

		Single stage										
Model	Static vacuum											
Series 1		0	10	20	30	40	50	60	70	75	80	90
		mbar	mbar	mbar	mbar	mbar	mbar	mbar	mbar	mbar	mbar	mbar
KB-129 0.2 kW	Airflow m ³ /min	1.0	0.92	0.85	0.8	0.7	0.62	0.47	0.28	-	-	-
KB-129-1 0.2 kW		1.0	0.92	0.85	0.8	0.7	0.62	0.47	0.28	-	-	-
KB-129L 0.0.2 kW		1.0	0.92	0.85	0.8	0.7	0.62	0.47	0.28	-	-	-
KB-129 0.25 kW		1.0	0.92	0.85	0.8	0.7	0.62	0.47	0.28	0.15	-	-
KB-129-1 0.25 kW		1.0	0.92	0.85	0.8	0.7	0.62	0.47	0.28	0.15	-	-
Series 2		0	20	40	60	80	100	110	120	130	140	150
		mbar	mbar	mbar	mbar	mbar	mbar	mbar	mbar	mbar	mbar	mbar
KB-229 0.5 kW	Airflow m ³ /min	1.7	1.5	1.25	1.07	0.85	0.7	0.57	0.5	0.32	0.25	-
KB-229-1 0.5 kW		1.7	1.5	1.25	1.07	0.85	0.7	0.57	0.5	0.32	0.25	-
KB-229L 0.5 kW		1.7	1.5	1.25	1.07	0.85	0.7	0.57	0.5	0.32	0.25	-
KB-229L-1 0.5 kW		1.7	1.5	1.25	1.07	0.85	0.7	0.57	0.5	0.32	0.25	-
Series 3		0	20	40	60	80	100	120	140	160	180	205
		mbar	mbar	mbar	mbar	mbar	mbar	mbar	mbar	mbar	mbar	mbar
KB-329 0.85 kW	Airflow m ³ /min	2.9	2.7	2.5	2.2	2.0	1.8	1.65	1.4	-	-	-
KB-329-1 0.85 kW		2.9	2.7	2.5	2.2	2.0	1.8	1.65	1.4	-	-	-
KB-329L 0.85 kW		2.9	2.7	2.5	2.2	2.0	1.8	1.65	1.4	-	-	-
KB-329L-1 0.85 kW		2.9	2.7	2.5	2.2	2.0	1.8	1.65	1.4	-	-	-
KB-329 1.1 kW		2.9	2.7	2.5	2.2	2.0	1.8	1.65	1.4	1.2	0.85	-
KB-339 1.5 kW		2.9	2.7	2.5	2.2	2.0	1.8	1.65	1.4	1.2	0.85	0.55
Series 4		0	25	50	75	100	140	180	210	230	255	280
		mbar	mbar	mbar	mbar	mbar	mbar	mbar	mbar	mbar	mbar	mbar
KB-429 1.1 kW	Airflow m ³ /min	4.2	3.85	3.7	3.3	3.0	2.2	-	-	-	-	-
KB-429-1 1.1 kW		4.2	3.85	3.7	3.3	3.0	2.2	-	-	-	-	-
KB-429 1.5 kW		4.2	3.85	3.7	3.3	3.0	2.2	1.65	-	-	-	-
KB-429-1 1.5 kW		4.2	3.85	3.7	3.3	3.0	2.2	1.65	-	-	-	-
KB-429L 1.5 kW		4.2	3.85	3.7	3.3	3.0	2.2	1.65	-	-	-	-
KB-429L-1 1.5 kW		4.2	3.85	3.7	3.3	3.0	2.2	1.65	-	-	-	-
KB-429-1 1.9 kW		4.2	3.85	3.7	3.3	3.0	2.2	1.65	1.25	-	-	-
KB-429 1.9 kW		4.2	3.85	3.7	3.3	3.0	2.2	1.65	1.25	-	-	-
KB-429L 1.9kW		4.2	3.85	3.7	3.3	3.0	2.2	1.65	1.25	-	-	-
KB-429 2.6 kW		4.2	3.85	3.7	3.3	3.0	2.2	1.65	1.25	0.83	0.57	-

The technical data is based on 1 bar (abs.) atmospheric pressure and 20°C and with an air density of 1.2 kg/m³, incl. 10% variance. We reserve the right to change technical specifications without further notice, if this is necessary, based on test and development.

Single stage (continued)												
Model	Static vacuum											
Series 5 & 6	0	50	100	130	160	180	200	220	250	280	315	
	mbar	mbar	mbar	mbar	mbar	mbar	mbar	mbar	mbar	mbar	mbar	
KB-529 2.6 kW	Airflow m ³ /min	6.2	5.8	5.4	4.9	4.4	4.0	3.5	2.9	-	-	-
KB-529-1 2.6 kW		6.2	5.8	5.4	4.9	4.4	4.0	3.5	2.9	-	-	-
KB-529L 2.6 kW		6.2	5.8	5.4	4.9	4.4	4.0	3.5	2.9	-	-	-
KB-629 3.7 kW		6.2	5.8	5.4	4.9	4.4	4.0	3.5	2.9	2.0	1.55	-
KB-629-1 3.7 kW		6.2	5.8	5.4	4.9	4.4	4.0	3.5	2.9	2.0	1.55	-
KB-629L 3.7 kW		6.2	5.8	5.4	4.9	4.4	4.0	3.5	2.9	2.0	1.55	-
KB-639 4.6 kW		6.2	5.8	5.4	4.9	4.4	4.0	3.5	2.9	2.0	1.55	0.95
Series 7 & 8	0	50	100	130	160	180	200	250	290	320	350	
	mbar	mbar	mbar	mbar	mbar	mbar	mbar	mbar	mbar	mbar	mbar	
KB-729 6.3 kW	Airflow m ³ /min	10.9	10.7	9.7	9.2	8.8	8.2	7.85	6.5	5.15	-	-
KB-829 8.6 kW		10.9	10.7	9.7	9.2	8.8	8.2	7.85	6.5	5.15	4.1	2.7
Series 9	0	50	100	150	190	230	260	290	320	350	370	
	mbar	mbar	mbar	mbar	mbar	mbar	mbar	mbar	mbar	mbar	mbar	
KB-919 11.0 kW	Airflow m ³ /min	22.4	21.8	21.2	20.0	18.2	-	-	-	-	-	-
KB-929 15.0 kW		22.4	21.8	21.2	20.0	18.2	16.3	14.0	12.1	-	-	-
KB-939 23.0 kW		22.4	21.8	21.2	20.0	18.2	16.3	14.0	12.1	9.8	8.5	7.4
Double stage												
Model	Static vacuum											
Series 23	0	25	50	75	100	125	150	175	200	220	245	
	mbar	mbar	mbar	mbar	mbar	mbar	mbar	mbar	mbar	mbar	mbar	
KB-2308 0.85 kW	Airflow m ³ /min	1.8	1.7	1.51	1.38	1.25	1.07	0.9	0.78	0.63	0.46	0.28
KB-2309-1 0.85 kW		1.8	1.7	1.51	1.38	1.25	1.07	0.9	0.78	0.63	0.46	0.28
Series 33	0	50	100	150	200	220	225	275	300	325	350	
	mbar	mbar	mbar	mbar	mbar	mbar	mbar	mbar	mbar	mbar	mbar	
KB-3315-1 1.75 kW	Airflow m ³ /min	3.0	2.9	2.4	2.0	1.65	1.35	1.2	0.91	-	-	-
KB-3319 1.9 kW		3.0	2.9	2.4	2.0	1.65	1.35	1.2	0.91	0.8	-	-
KB-3326 2.6 kW		3.0	2.9	2.4	2.0	1.65	1.35	1.2	0.91	0.8	0.65	0.47
Series 43	0	50	100	150	200	250	275	300	350	405	410	
	mbar	mbar	mbar	mbar	mbar	mbar	mbar	mbar	mbar	mbar	mbar	
KB-4337 3.7 kW	Airflow m ³ /min	4.5	4.15	3.9	3.3	2.8	2.0	1.8	1.62	1.18	0.78	-
KB-4346 4.6 kW		4.5	4.15	3.9	3.3	2.8	2.0	1.8	1.62	1.18	0.78	0.75

The technical data is based on 1 bar (abs.) atmospheric pressure and 20°C and with an air density of 1.2 kg/m³, incl. 10% variance. We reserve the right to change technical specifications without further notice, if this is necessary, based on test and development.

Technical data 60 Hz vacuum

		Double stage (continued)										
Model		Static vacuum										
Series 63		0	50	100	200	250	300	350	380	400	425	450
		mbar	mbar	mbar	mbar	mbar	mbar	mbar	mbar	mbar	mbar	mbar
KB-6346 4.6 kW	Airflow m ³ /min	6.2	6.05	5.9	5.2	4.8	4.05	3.3	2.8	-	-	-
KB-6355 6.3 kW		6.2	6.05	5.9	5.2	4.8	4.05	3.3	2.8	2.5	2.0	-
KB-6375 8.6 kW		6.2	6.05	5.9	5.2	4.8	4.05	3.3	2.8	2.5	2.0	1.8
Series 64		0	50	100	120	140	160	180	200	220	240	260
		mbar	mbar	mbar	mbar	mbar	mbar	mbar	mbar	mbar	mbar	mbar
KB-6455 6.3 kW	Airflow m ³ /min	9.2	8.5	7.7	7.15	6.8	6.2	5.6	5.0	-	-	-
KB-6475 8.6 kW		9.2	8.5	7.7	7.15	6.8	6.2	5.6	5.0	4.4	3.65	2.6
Series 83		0	75	150	200	320	400	455	500	550	600	650
		mbar	mbar	mbar	mbar	mbar	mbar	mbar	mbar	mbar	mbar	mbar
KB-8310 8.6 kW	Airflow m ³ /min	10.9	9.8	8.8	8.35	6.5	-	-	-	-	-	-
KB-8315 13.0 kW		10.9	9.8	8.8	8.35	6.5	5.2	3.9	-	-	-	-
KB-8320 22.0 kW		10.9	9.8	8.8	8.35	6.5	5.2	3.9	3.0	1.8	1.25	0.8
Series 84		0	25	50	75	100	125	150	175	200	230	260
		mbar	mbar	mbar	mbar	mbar	mbar	mbar	mbar	mbar	mbar	mbar
KB-8410 8.6 kW	Airflow m ³ /min	16.5	16.2	15.9	14.9	13.7	13.0	11.9	-	-	-	-
KB-8415 13.0 kW		16.5	16.2	15.9	14.9	13.7	13.0	11.9	10.8	9.8	8.8	8.0

The technical data is based on 1 bar (abs.) atmospheric pressure and 20°C and with an air density of 1.2 kg/m³, incl. 10% variance. We reserve the right to change technical specifications without further notice, if this is necessary, based on test and development.

		Single stage										
Model	Static pressure											
Series 1		0	10	20	30	40	50	60	70	80	90	100
		mbar	mbar	mbar	mbar	mbar	mbar	mbar	mbar	mbar	mbar	mbar
KB-129 0.2 kW	Airflow m ³ /min	1.0	0.95	0.9	0.85	0.75	0.68	0.51	0.4	-	-	-
KB-129-1 0.2 kW		1.0	0.95	0.9	0.85	0.75	0.68	0.51	0.4	-	-	-
KB-129L 0.2 kW		1.0	0.95	0.9	0.85	0.75	0.68	0.51	0.4	-	-	-
KB-129 0.25 kW		1.0	0.95	0.9	0.85	0.75	0.68	0.51	0.4	0.2	-	-
KB-129-1 0.25 kW		1.0	0.95	0.9	0.85	0.75	0.68	0.51	0.4	0.2	-	-
Series 2		0	20	40	60	80	100	120	140	160	170	180
		mbar	mbar	mbar	mbar	mbar	mbar	mbar	mbar	mbar	mbar	mbar
KB-229 0.5 kW	Airflow m ³ /min	1.7	1.6	1.5	1.13	1.0	0.87	0.75	0.55	0.42	0.3	-
KB-229-1 0.5 kW		1.7	1.6	1.5	1.13	1.0	0.87	0.75	0.55	0.42	0.3	-
KB-229L 0.5 kW		1.7	1.6	1.5	1.13	1.0	0.87	0.75	0.55	0.42	0.3	-
KB-229L-1 0.5 kW		1.7	1.6	1.5	1.13	1.0	0.87	0.75	0.55	0.42	0.3	-
Series 3		0	30	60	80	100	120	140	160	180	200	230
		mbar	mbar	mbar	mbar	mbar	mbar	mbar	mbar	mbar	mbar	mbar
KB-329 0.85 kW	Airflow m ³ /min	2.9	2.8	2.7	2.5	2.2	2.0	1.75	-	-	-	-
KB-329-1 0.85 kW		2.9	2.8	2.7	2.5	2.2	2.0	1.75	-	-	-	-
KB-329L 0.85 kW		2.9	2.8	2.7	2.5	2.2	2.0	1.75	-	-	-	-
KB-329L-1 0.85 kW		2.9	2.8	2.7	2.5	2.2	2.0	1.75	-	-	-	-
KB-329 1.1 kW		2.9	2.8	2.7	2.5	2.2	2.0	1.75	1.5	1.2	-	-
KB-339 1.5 kW		2.9	2.8	2.7	2.5	2.2	2.0	1.75	1.5	1.2	0.95	0.7
Series 4		0	40	80	120	140	160	180	200	220	250	300
		mbar	mbar	mbar	mbar	mbar	mbar	mbar	mbar	mbar	mbar	mbar
KB-429 1.1 kW	Airflow m ³ /min	4.2	3.7	3.2	2.7	2.3	-	-	-	-	-	-
KB-429-1 1.1 kW		4.2	3.7	3.2	2.7	2.3	-	-	-	-	-	-
KB-429 1.5 kW		4.2	3.7	3.2	2.7	2.3	2.1	1.9	-	-	-	-
KB-429-1 1.5 kW		4.2	3.7	3.2	2.7	2.3	2.1	1.9	-	-	-	-
KB-429L 1.5 kW		4.2	3.7	3.2	2.7	2.3	2.1	1.9	-	-	-	-
KB-429L-1 1.5 kW		4.2	3.7	3.2	2.7	2.3	2.1	1.9	-	-	-	-
KB-429-1 1.9 kW		4.2	3.7	3.2	2.7	2.3	2.1	1.9	1.8	1.7	-	-
KB-429 1.9 kW		4.2	3.7	3.2	2.7	2.3	2.1	1.9	1.8	1.7	-	-
KB-429L 1.9kW		4.2	3.7	3.2	2.7	2.3	2.1	1.9	1.8	1.7	-	-
KB-429 2.6 kW		4.2	3.7	3.2	2.7	2.3	2.1	1.9	1.8	1.7	1.5	1.18

The technical data is based on 1 bar (abs.) atmospheric pressure and 20°C and with an air density of 1.2 kg/m³, incl. 10% variance. We reserve the right to change technical specifications without further notice, if this is necessary, based on test and development.

Single stage (continued)												
Model	Static pressure											
Series 5 & 6	0	50	100	150	175	200	220	250	280	300	320	
	mbar	mbar	mbar	mbar	mbar	mbar	mbar	mbar	mbar	mbar	mbar	
KB-529 2.6 kW	Airflow m ³ /min	6.2	5.5	4.95	4.2	3.95	3.65	3.45	-	-	-	-
KB-529-1 2.6 kW		6.2	5.5	4.95	4.2	3.95	3.65	3.45	-	-	-	-
KB-529L 2.6 kW		6.2	5.5	4.95	4.2	3.95	3.65	3.45	-	-	-	-
KB-629 3.7 kW		6.2	5.5	4.95	4.2	3.95	3.65	3.45	3.0	2.6	-	-
KB-629-1 3.7 kW		6.2	5.5	4.95	4.2	3.95	3.65	3.45	3.0	2.6	-	-
KB-629L 3.7 kW		6.2	5.5	4.95	4.2	3.95	3.65	3.45	3.0	2.6	-	-
KB-639 4.6 kW		6.2	5.5	4.95	4.2	3.95	3.65	3.45	3.0	2.6	2.3	2.1
Series 7 & 8	0	50	100	150	220	290	300	325	350	375	400	
	mbar	mbar	mbar	mbar	mbar	mbar	mbar	mbar	mbar	mbar	mbar	
KB-729 6.3 kW	Airflow m ³ /min	10.9	9.8	9.3	8.6	7.5	6.1	-	-	-	-	-
KB-829 8.6 kW		10.9	9.8	9.3	8.6	7.5	6.1	5.9	5.2	4.8	4.1	3.4
Series 9	0	50	100	150	190	250	290	325	350	400	430	
	mbar	mbar	mbar	mbar	mbar	mbar	mbar	mbar	mbar	mbar	mbar	
KB-919 11.0 kW	Airflow m ³ /min	22.4	22.35	22.3	21.7	20.2	-	-	-	-	-	-
KB-929 15.0 kW		22.4	22.35	22.3	21.7	20.2	16.8	14.0	-	-	-	-
KB-939 23.0 kW		22.4	22.35	22.3	21.7	20.2	16.8	14.0	11.9	9.8	7.3	4.4
Double stage												
Model	Static pressure											
Series 23	0	25	50	75	100	125	150	175	200	220	245	
	mbar	mbar	mbar	mbar	mbar	mbar	mbar	mbar	mbar	mbar	mbar	
KB-2308 0.85 kW	Airflow m ³ /min	1.8	1.75	1.65	1.55	1.4	1.22	1.05	0.9	0.75	0.65	0.5
KB-2309-1 0.85 kW		1.8	1.75	1.65	1.55	1.4	1.22	1.05	0.9	0.75	0.65	0.5
Series 33	0	50	100	150	200	250	300	325	350	400	435	
	mbar	mbar	mbar	mbar	mbar	mbar	mbar	mbar	mbar	mbar	mbar	
KB-3315-1 1.75 kW	Airflow m ³ /min	3.0	2.8	2.5	2.1	1.8	1.6	-	-	-	-	-
KB-3319 1.9 kW		3.0	2.8	2.5	2.1	1.8	1.6	1.35	-	-	-	-
KB-3326 2.6 kW		3.0	2.8	2.5	2.1	1.8	1.6	1.35	1.18	0.98	0.8	0.68
Series 43	0	50	100	150	200	250	300	350	415	450	500	
	mbar	mbar	mbar	mbar	mbar	mbar	mbar	mbar	mbar	mbar	mbar	
KB-4337 3.7 kW	Airflow m ³ /min	4.5	4.2	4.0	3.8	3.45	3.15	2.85	2.4	1.85	-	-
KB-4346 4.6 kW		4.5	4.2	4.0	3.8	3.45	3.15	2.85	2.4	1.85	1.75	1.5

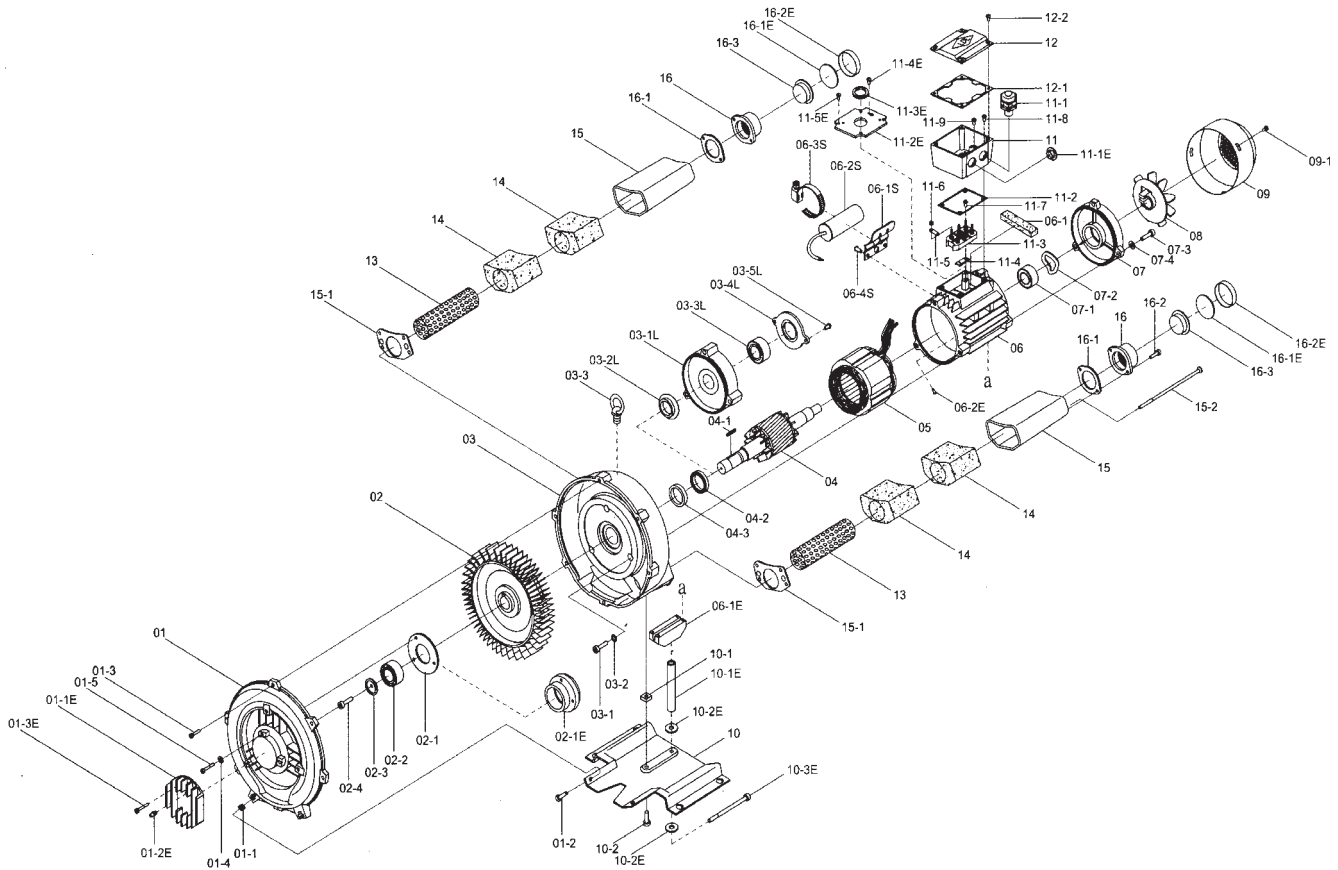
The technical data is based on 1 bar (abs.) atmospheric pressure and 20°C and with an air density of 1.2 kg/m³, incl. 10% variance. We reserve the right to change technical specifications without further notice, if this is necessary, based on test and development.

		Double stage (continued)										
Model	Static pressure											
Series 63		0	75	150	200	250	300	380	450	530	600	675
		mbar	mbar	mbar	mbar	mbar	mbar	mbar	mbar	mbar	mbar	mbar
KB-6346 4.6 kW	Airflow m ³ /min	6.2	5.8	5.3	5.0	4.8	4.38	3.9	-	-	-	-
KB-6355 6.3 kW		6.2	5.8	5.3	5.0	4.8	4.38	3.9	3.4	2.9	-	-
KB-6375 8.6 kW		6.2	5.8	5.3	5.0	4.8	4.38	3.9	3.4	2.9	2.7	2.3
Series 64		0	50	100	120	140	160	180	200	220	250	270
		mbar	mbar	mbar	mbar	mbar	mbar	mbar	mbar	mbar	mbar	mbar
KB-6455 6.3 kW	Airflow m ³ /min	9.2	8.4	7.65	7.4	7.05	6.8	6.45	6.25	5.9	-	-
KB-6475 8.6 kW		9.2	8.4	7.65	7.4	7.05	6.8	6.45	6.25	5.9	5.4	5.2
Series 83		0	100	200	320	400	500	550	600	650	700	780
		mbar	mbar	mbar	mbar	mbar	mbar	mbar	mbar	mbar	mbar	mbar
KB-8310 8.6 kW	Airflow m ³ /min	10.9	10.8	10.2	9.2	-	-	-	-	-	-	-
KB-8315 13.0 kW		10.9	10.8	10.2	9.2	8.3	6.92	6.45	6.0	-	-	-
KB-8320 22.0 kW		10.9	10.8	10.2	9.2	8.3	6.92	6.45	6.0	5.35	4.85	4.0
Series 84		0	25	50	75	100	125	150	175	200	230	260
		mbar	mbar	mbar	mbar	mbar	mbar	mbar	mbar	mbar	mbar	mbar
KB-8410 8.6 kW	Airflow m ³ /min	16.5	15.7	15.2	14.2	13.8	13.0	12.6	-	-	-	-
KB-8415 13.0 kW		16.5	15.7	15.2	14.2	13.8	13.0	12.6	12.0	11.2	10.8	9.95

The technical data is based on 1 bar (abs.) atmospheric pressure and 20°C and with an air density of 1.2 kg/m³, incl. 10% variance. We reserve the right to change technical specifications without further notice, if this is necessary, based on test and development.

Single stage

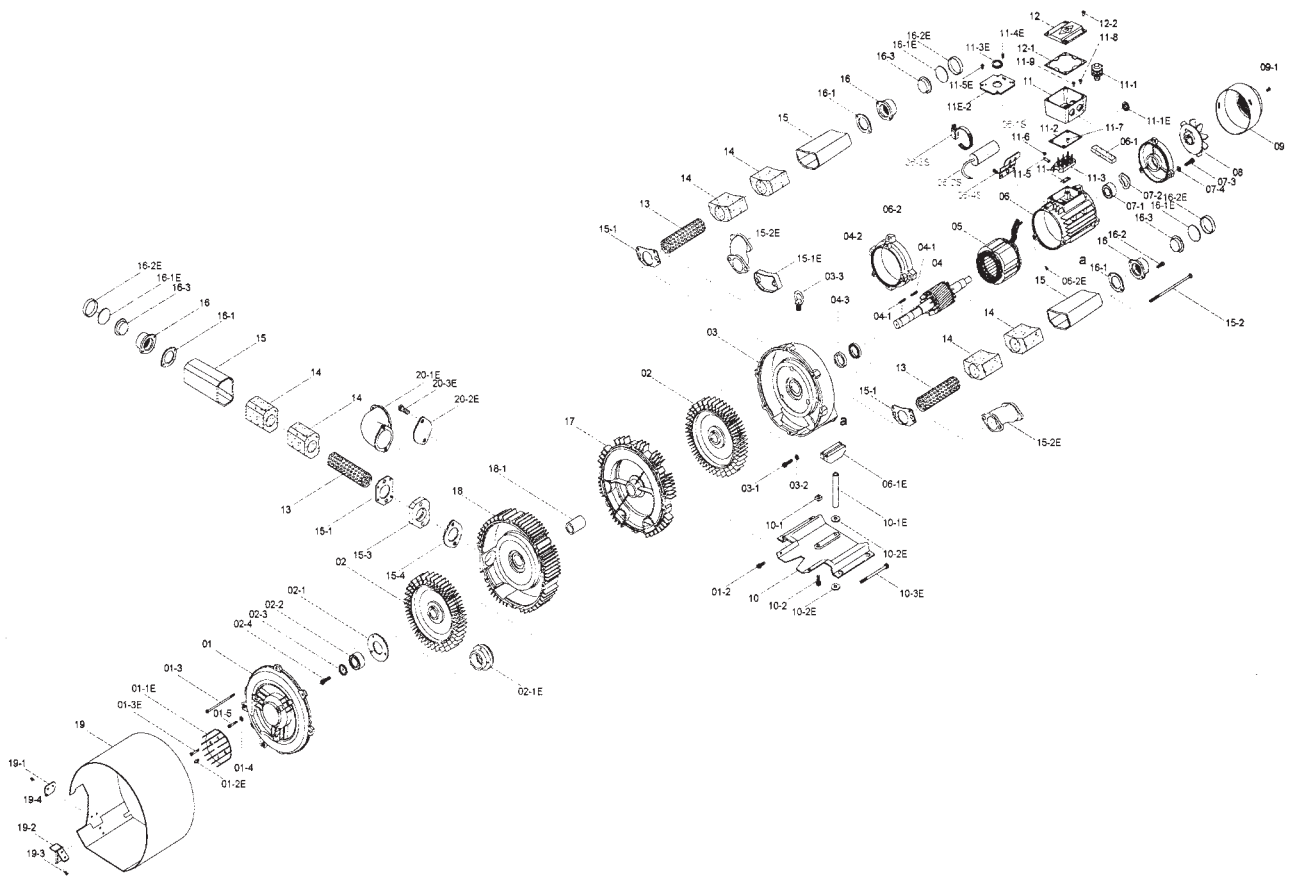
System drawing



Parts list

ITEM	DESCRIPTION	ITEM	DESCRIPTION	ITEM	DESCRIPTION	ITEM	DESCRIPTION
01	Compressor cover	04	Rotor	08	Fan	12	Upper terminal box
01-1E	Front bearing cover	04-1	Key	09	Fan cover	12-1	Rubber gasket (upper)
01-2E	Nipple	04-2	Oil seal	10	Base	13	Silencer mesh
02	Impeller	04-3	Felt ring	10-1E	Support	14	Silencer foam
02-1	Inner bearing cover	05	Stator & coil	11	Lower terminal box	15	Silencer casing
02-2	Front bearing	06	Motor housing	11-1	Cable gland	15-1	Silencer gasket
02-3	Disc	06-1	Sponge filler	11-2	Rubber gasket (lower)	16	Inlet/outlet
02-1E	Bearing socket	06-1E	Bracket	11-3	Terminal board	16-1	Inlet (outlet) gasket
03	Compressor housing	06-1S	Capacitor bracket	11-4	Board case	16-3	Inlet (outlet) plug
03-3	Bronze ring	06-2S	Capacitor	11-5	Wire connection	16-1E	Inlet (outlet) plate
03-1L	Middle motor cover	06-3S	Steel clip	11-6	Nut	16-2E	Inlet (outlet) cover
03-2L	VA-seal	07	Motor cover	11-1E	Plug	Parts not listed are standard ones, e.g. nut, screw, washer...	
03-3L	Front bearing WP	07-1	Rear bearing	11-2E	Steel plate		
03-4L	Bearing washer	07-2	Wave washer	11-3E	Rubber ring		

System drawing



Parts list

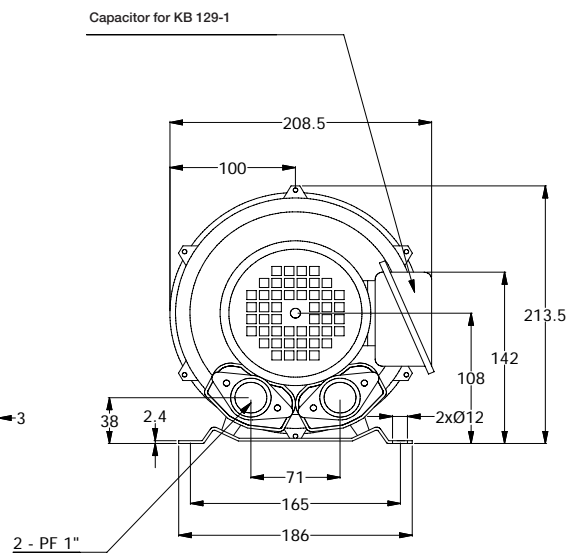
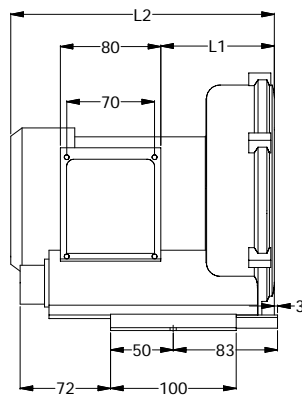
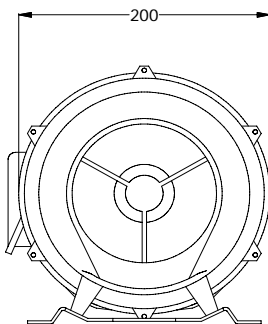
ITEM	DESCRIPTION	ITEM	DESCRIPTION	ITEM	DESCRIPTION	ITEM	DESCRIPTION
01	Compressor cover	06-1	Spronge filter	11-4	Board base	15-2E	Extension pipe
01-1E	Front Bearing cover	06-2	Middle motor cover	11-5	Wire connection	16	Inlet/outlet flange
01-2E	Nipple	06-1S	Capacitor bracket	11-6	Nut	16-1	Inlet (outlet) gasket
02	Impeller	06-2S	Capacitor	11-1E	Plug	16-3	Inlet (outlet) plug
02-1	Inner bearing cover	06-3S	Steel Clip	11-2E	Steel plate	16-1E	Inlet (outlet) plate
02-2	Front bearing	07	Motor cover	11-3E	Rubber ring	16-2E	Inlet (outlet) cover
02-3	Disc	07-1	Rear bearing	12	Upper terminal box	17	Middle cover
02-1E	Bearing socket	07-2	Wave washer	12-1	Rubber gasket (upper)	18	Middle housing
03	Compressor housing	08	Fan	13	Silencer mesh	18-1	Lock for impeller
03-3	Bronze ring	09	Fan cover	14	Silencer foam	19	Protective cap
04	Rotor	10	Base	15	Silencer casing	19-1	Buckle (upper)
04-1	Key	10-1E	Support	15-1	Silencer gasket	19-2	Buckle (under)
04-2	Oil Seal	11	Lower terminal box	15-3	Silencer block	20-1E	90° Extension pipe
04-3	Felt ring	11-1	Cable gland	15-4	Silencer gasket/ block	20-2E	End cover
05	Stator	11-2	Rubber gasket (under)			Parts not listed are standard ones, e.g. nut, screw, washer...	
06	Motor housing	11-3	Terminal board	15-1E	Outlet cover		

Specifications type KB 1..

Type no.		KB-129	KB-129-1	KB-129L	KB-129	KB-129-1
Phases		3	1	3	3	1
Output kW	50Hz	0.18	0.18	0.18	0.20	0.20
	60Hz	0.20	0.20	0.20	0.25	0.25
Voltage V	50Hz	208-255/360-440	220-240	208-255/360-440	208-255/360-440	220-240
	60Hz	250-306/432-528	264-288	250-306/432-528	250-306/432-528	264-288
Current Amp	50Hz	0.9/0.52	1.5	0.9/0.52	1.2/0.69	1.7
	60Hz	0.9/0.52	1.7	0.9/0.52	1.3/0.75	1.8
Vacuum mbar	50Hz	50	50	50	70	70
	60Hz	70	70	70	75	75
Pressure mbar	50Hz	60	60	60	70	70
	60Hz	70	70	70	80	80
Airflow m ³ /min	50Hz	0.8	0.8	0.8	0.8	0.8
	60Hz	1.0	1.0	1.0	1.0	1.0
Insulation class		F	F	F	F	F
L1		95	95	111.5	90	90
L2		209.5	209.5	231	209.5	209.5
Weight	Kg	6,5	6,5	6,5	6,5	6,5

The high quality grease used in the shield ball bearing (impeller side) resists high temperature for life time usage.

The high reliable grease sealed ball bearing (fan side) resists high temperature for motor coil.

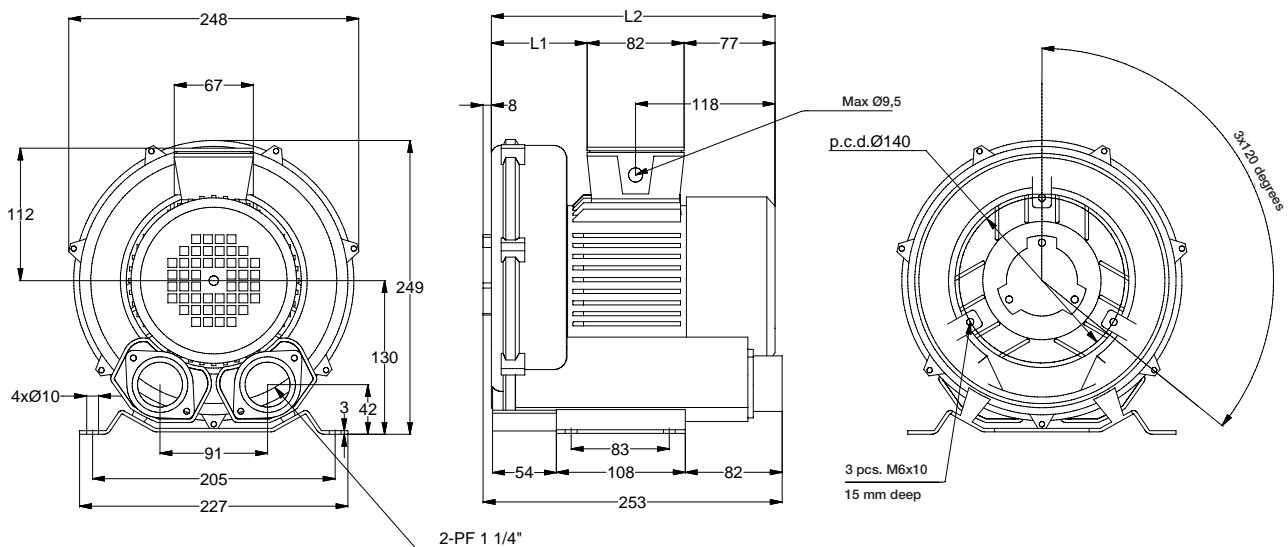




Type no.		KB-229	KB-229-1	KB-229L	KB-229L-1
Phase		3	1	3	1
Output kW	50Hz	0.4	0.4	0.4	0.4
	60Hz	0.5	0.5	0.5	0.5
Voltage V	50Hz	208-255/360-440	220-240	208-255/360-440	220-240
	60Hz	250-306/432-528	264-288	250-306/432-528	264-288
Current Amp	50Hz	2.1/1.2	2.8	2.1/1.2	2.8
	60Hz	2.3/1.3	2.9	2.3/1.3	2.9
Vacuum mbar	50Hz	110	110	110	110
	60Hz	140	140	140	140
Pressure mbar	50Hz	130	130	130	130
	60Hz	170	170	170	170
Airflow m ³ /min	50Hz	1.4	1.4	1.4	1.4
	60Hz	1.7	1.7	1.7	1.7
Insulation class		F	F	F	F
L1		80	80	80	80
L2		239	239	262	262
Weight	Kg	11	11,5	11,5	12

The high quality grease used in the shield ball bearing (impeller side) resists high temperature for life time usage.

The high reliable grease sealed ball bearing (fan side) resists high temperature for motor coil.

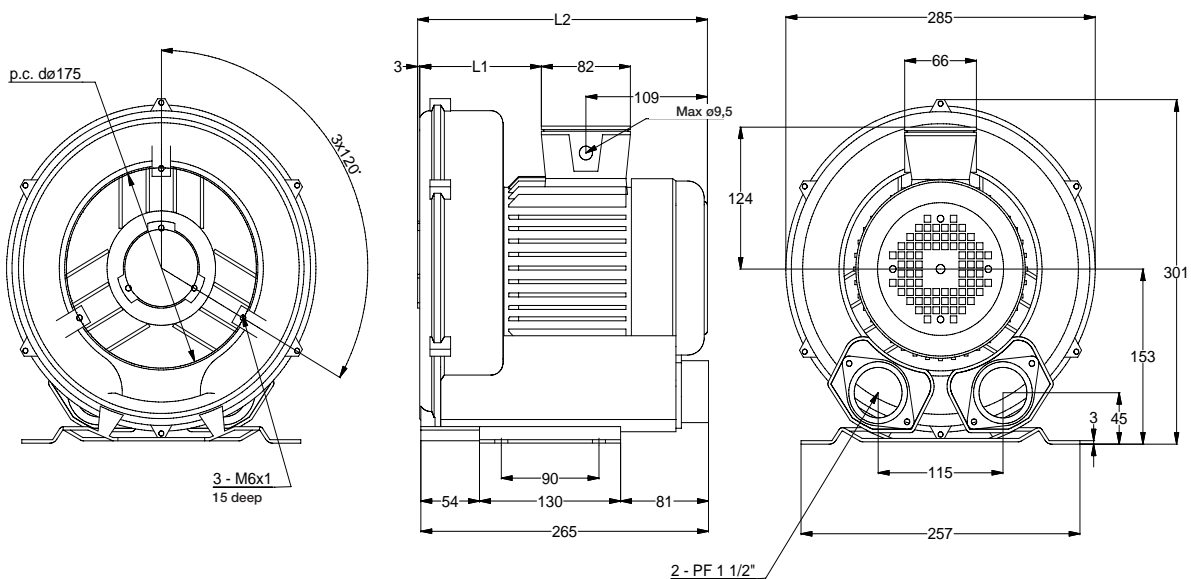


Specifications type KB 3..

Type no.		KB-329	KB-329-1	KB-329L	KB-329L-1	KB-329	KB-339
Phases		3	1	3	1	3	3
Output kW	50Hz	0.75	0.75	0.75	0.75	0.9	1.3
	60Hz	0.85	0.85	0.85	0.85	1.1	1.5
Voltage V	50Hz	208-255/ 360-440	220-240	208-255/ 360-440	220-240	208-255/ 360-440	208-255/ 360-440
	60Hz	250-306/ 432-528	264-288	250-306/ 432-528	264-288	250-306/ 432-528	250-306/ 432-528
Current Amp	50Hz	3.3/1.9	6.5	3.3/1.9	6.5	4.2/2.4	4.6/2.7
	60Hz	3.6/2.1	7	3.6/2.1	7	4.5/2.6	5.2/3.0
Vacuum mbar	50Hz	140	140	140	140	165	175
	60Hz	140	140	140	140	180	205
Pressure mbar	50Hz	140	140	140	140	180	200
	60Hz	140	140	140	140	180	230
Airflow m ³ /min	50Hz	2.4	2.4	2.4	2.4	2.4	2.4
	60Hz	2.9	2.9	2.9	2.9	2.9	2.9
Insulation class		F	F	F	F	F	F
L1		129	129	161	161	129	129
L2		279	279	311.5	311.5	279	279
Weight	Kg	14,5	15	15,5	15	15,5	16

The high quality grease used in the shield ball bearing (impeller side) resists high temperature for life time usage.

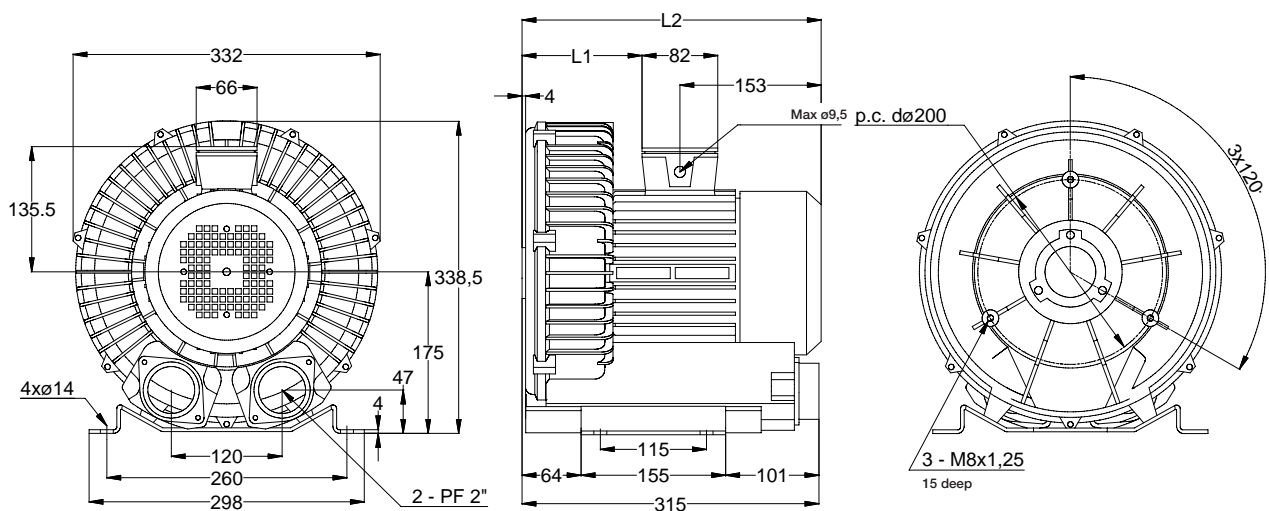
The high reliable grease sealed ball bearing (fan side) resists high temperature for motor coil.



Type no.		KB-429	KB-429-1	KB-429	KB-429-1	KB-429L	KB-429L-1
Phases		3	1	3	1	3	1
Output kW	50Hz	0.9	0.9	1.3	1.3	1.3	1.3
	60Hz	1.1	1.1	1.5	1.5	1.5	1.5
Voltage V	50Hz	208-255/ 360-440	220-240	208-255/ 360-440	220-240	208-255/ 360-440	220-240
	60Hz	250-306/ 432-528	264-288	250-306/ 432-528	264-288	250-306/ 432-528	264-288
Current Amp	50Hz	4.2/2.4	8.0	5.7/3.3	9.5	5.7/3.3	9.5
	60Hz	4.5/2.6	8.5	6.0/3.5	10	6.0/3.5	10
Vacuum mbar	50Hz	130	130	180	180	180	180
	60Hz	140	140	180	180	180	180
Pressure mbar	50Hz	130	130	180	180	180	180
	60Hz	140	140	180	180	180	180
Airflow m ³ /min	50Hz	3.6	3.6	3.6	3.6	3.6	3.6
	60Hz	4.2	4.2	4.2	4.2	4.2	4.2
Insulation class		F	F	F	F	F	F
L1		126	126	126	126	167.5	167.5
L2		320	320	320	320	361.5	361.5
Weight	Kg	20,5	21	22	22,5	22,5	22,5

The high quality grease used in the shield ball bearing (impeller side) resists high temperature for life time usage.

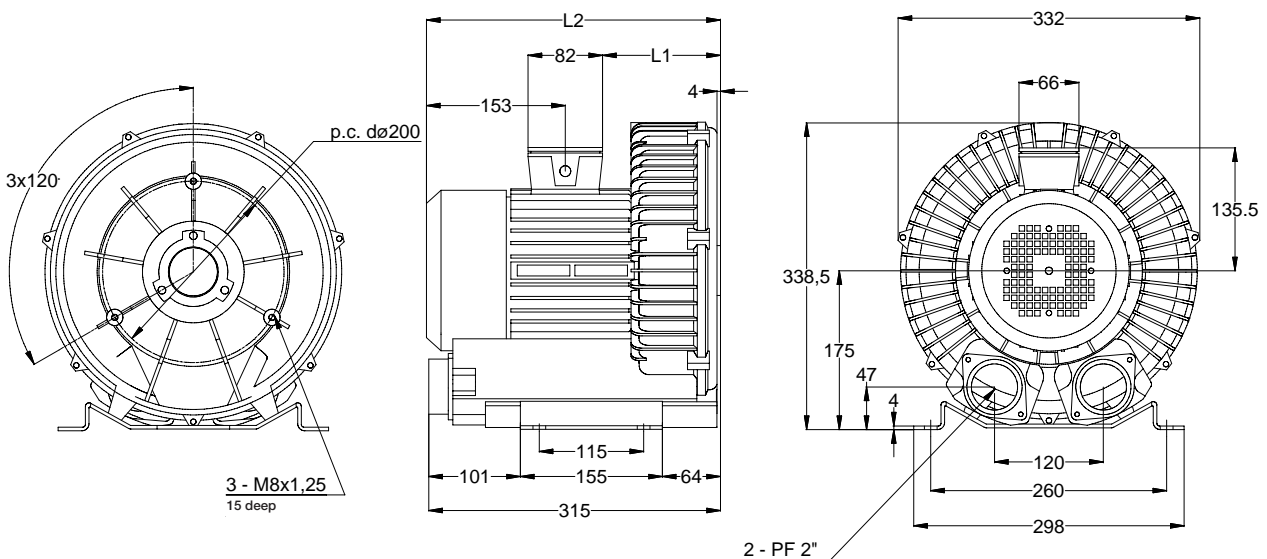
The high reliable grease sealed ball bearing (fan side) resists high temperature for motor coil.



Specifications type KB 4..

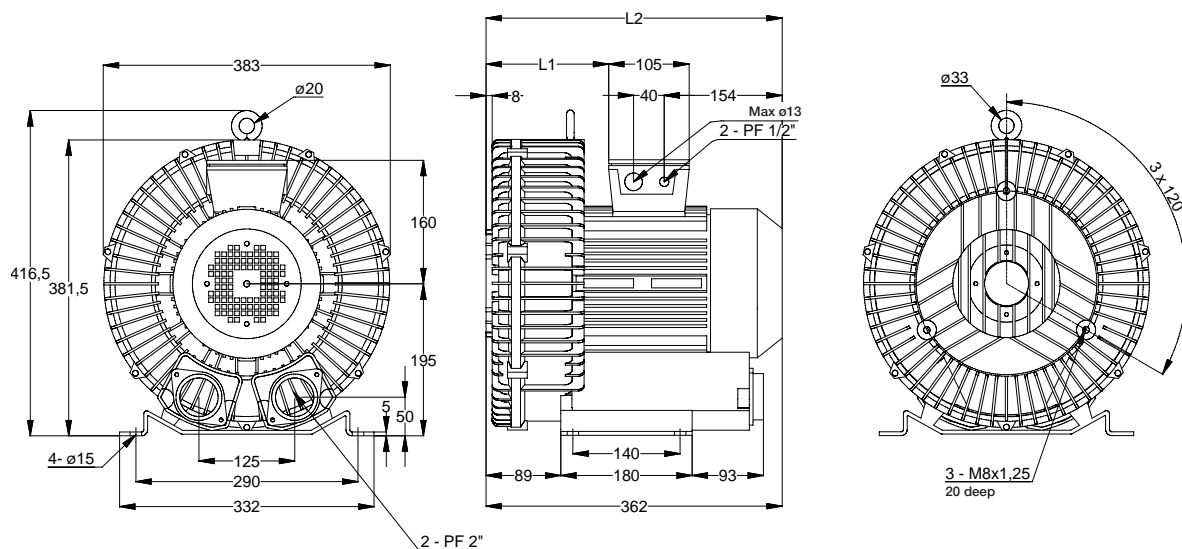
Type no.		KB-429-1	KB-429	KB-429L	KB-429
Phases		1	3	3	3
Output kW	50Hz	1.5	1.75	1.75	2.2
	60Hz	1.75	1.9	1.9	2.6
Voltage V	50Hz	220-240	208-255/ 360-440	208-255/ 360-440	208-255/ 360-440
	60Hz	264-288	250-306/ 432-528	250-306/ 432-528	250-306/ 432-528
Current Amp	50Hz	12.3	6.7/3.9	6.7/3.9	7.8/4.5
	60Hz	13	7/4	7/4	9.5/5.5
Vacuum mbar	50Hz	210	210	210	220
	60Hz	210	210	210	255
Pressure mbar	50Hz	220	220	220	270
	60Hz	220	220	220	300
Airflow m ³ /min	50Hz	3.6	3.6	3.6	3.6
	60Hz	4.2	4.2	4.2	4.2
Insulation class		F	F	F	F
L1		126	126	167	126
L2		320	320	361	320
Weight	Kg	23	23	23,5	26

The high quality grease used in the shield ball bearing (impeller side) resists high temperature for life time usage.
The high reliable grease sealed ball bearing (fan side) resists high temperature for motor coil.



Type no.		KB-529	KB-529-1	KB-529L
Phases		3	1	3
Output kW	50Hz	2.2	2.2	2.2
	60Hz	2.6	2.6	2.6
Voltage V	50Hz	208-255/ 360-440	220-240	208-255/ 360-440
	60Hz	250-306/ 432-528	264-288	250-306/ 432-528
Current Amp	50Hz	9.7/5.6	18	9.7/5.6
	60Hz	10.7/6.2	16	10.7/6.2
Vacuum mbar	50Hz	230	230	230
	60Hz	220	220	220
Pressure mbar	50Hz	230	230	230
	60Hz	220	220	220
Airflow m ³ /min	50Hz	5.2	5.2	5.2
	60Hz	6.2	6.2	6.2
Insulation class		H	H	H
L1		143.5	143.5	186.5
L2		370	370	413
Weight	Kg	32	33,5	33,5

The high quality grease used in the shield ball bearing (impeller side) resists high temperature for life time usage.
The high reliable grease sealed ball bearing (fan side) resists high temperature for motor coil.

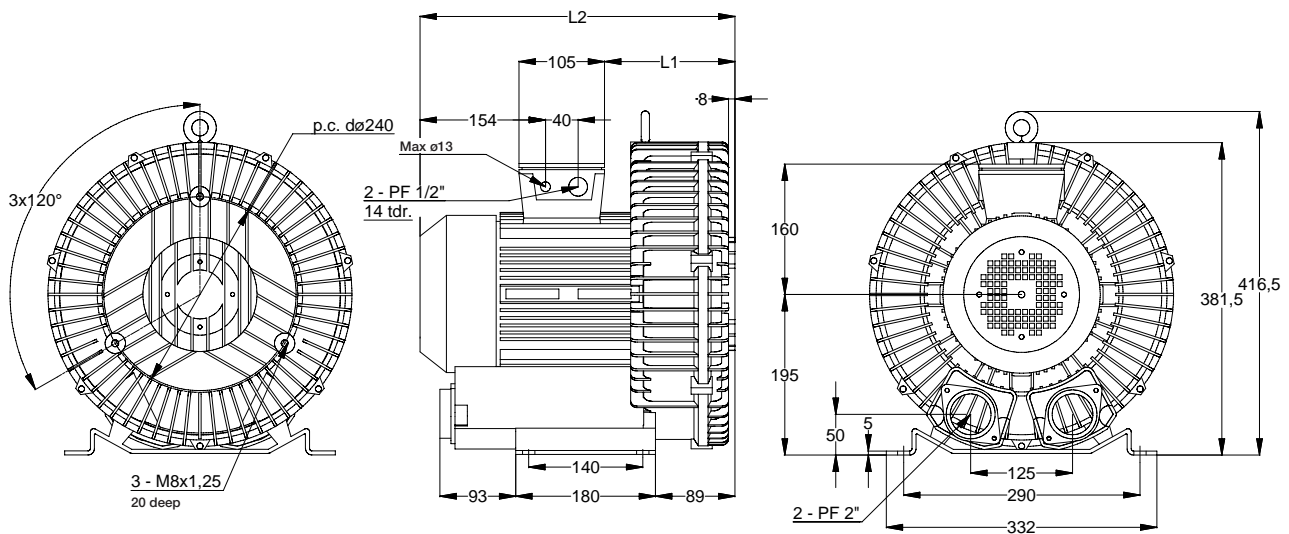


Specifications type KB 6..

Type no.		KB-629	KB-629-1	KB-629L	KB-639
Phases		3	1	3	3
Output kW	50Hz	3.4	3.4	3.4	4.0
	60Hz	3.7	3.7	3.7	4.6
Voltage V	50Hz	208-255/ 360-440	220-240	208-255/ 360-440	208-255/ 360-440
	60Hz	250-306/ 432-528	264-288	250-306/ 432-528	250-306/ 432-528
Current Amp	50Hz	12.5/7.2	28	12.5/7.2	14.3/8.2
	60Hz	13.5/7.8	30	13.5/7.8	16.2/9.3
Vacuum mbar	50Hz	260	260	260	270
	60Hz	280	280	280	315
Pressure mbar	50Hz	280	280	280	330
	60Hz	280	280	280	320
Airflow m ³ /min	50Hz	5.2	5.2	5.2	5.2
	60Hz	6.2	6.2	6.2	6.2
Insulation class		H	H	H	H
L1		143.5	143.5	186.5	143.5
L2		370	370	413	370
Weight	Kg	33	36,5	36	38

The high quality grease used in the shield ball bearing (impeller side) resists high temperature for life time usage.

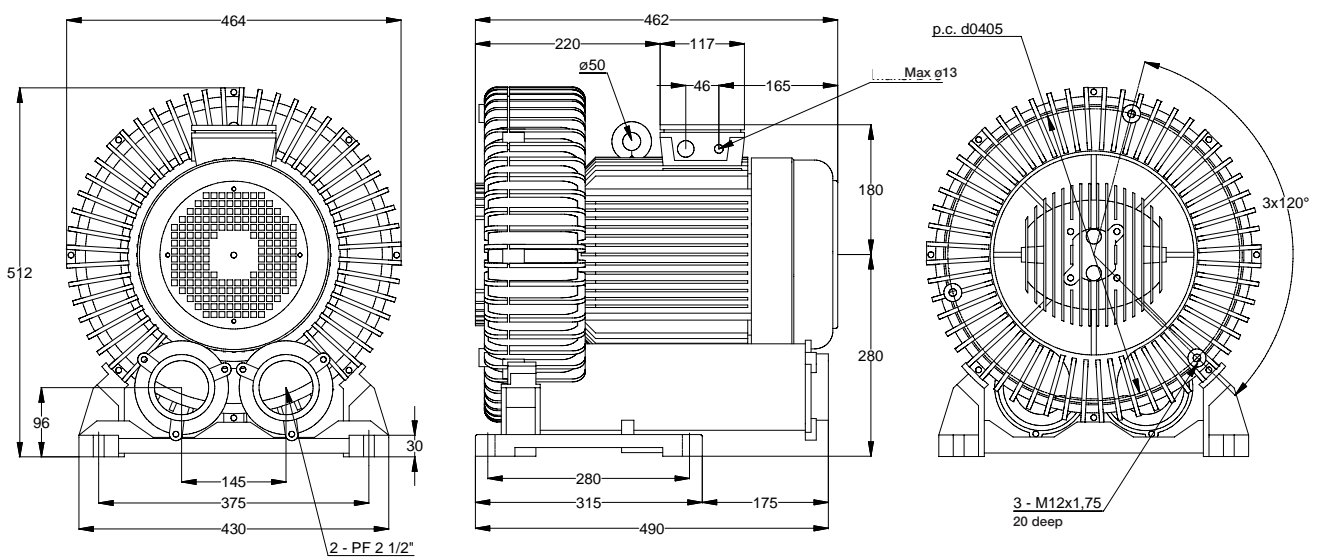
The high reliable grease sealed ball bearing (fan side) resists high temperature for motor coil.



Type no.		KB-729	KB-829
Phases		3	3
Output kW	50Hz	5.5	7.5
	60Hz	6.3	8.6
Voltage V	50Hz	360-440/ 621-759	360-440/ 621-759
	60Hz	432-528/ 745-911	432-528/ 745-911
Current Amp	50Hz	12/6.9	15.8/11.3
	60Hz	26.5/15.3	34/19.5
Vacuum mbar	50Hz	270	300
	60Hz	290	350
Pressure mbar	50Hz	300	400
	60Hz	290	400
Airflow m ³ /min	50Hz	9.2	9.2
	60Hz	10.9	10.9
Insulation class		H	H
Weight	Kg	78	82

The high quality grease used in the shield ball bearing (impeller side) resists high temperature for life time usage.

The high reliable grease sealed ball bearing (fan side) resists high temperature for motor coil.

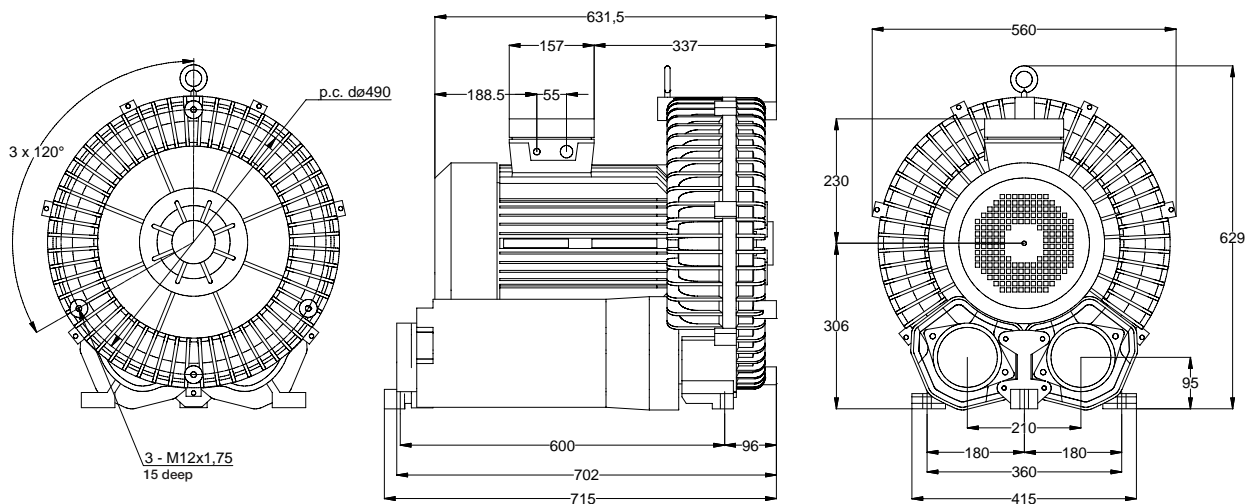


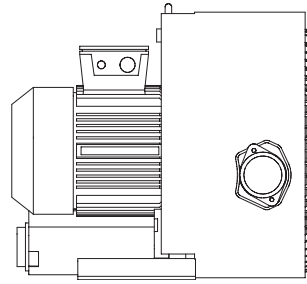
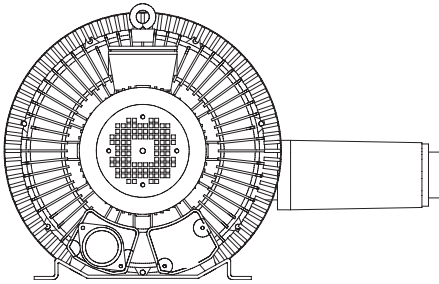
Specifications type KB 9..

Type no.		KB-919	KB-929	KB-939
Phases		3	3	3
Output kW	50Hz	9	13	20
	60Hz	11	15	23
Voltage V	50Hz	360-440/ 621-759	360-440/ 621-759	360-440/ 621-759
	60Hz	432-528/ 745-911	432-528/ 745-911	432-528/ 745-911
Current Amp	50Hz	20.8/12.0	27/15.6	38.6/22.3
	60Hz	21.4/12.4	30/17.3	44/25.3
Vacuum mbar	50Hz	200	300	350
	60Hz	190	290	370
Pressure mbar	50Hz	200	300	450
	60Hz	190	290	430
Airflow m ³ /min	50Hz	18,9	18,9	18,9
	60Hz	22,4	22,4	22,4
Insulation class		H	H	H
Weight	Kg	100	112	159

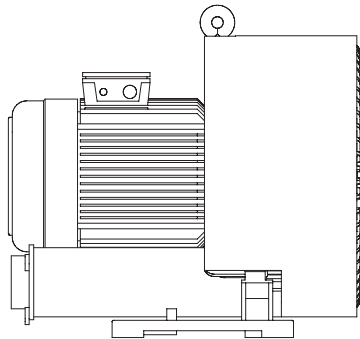
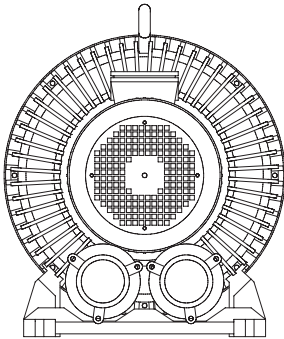
The high quality grease used in the shield ball bearing (impeller side) resists high temperature for life time usage.

The high reliable grease sealed ball bearing (fan side) resists high temperature for motor coil.

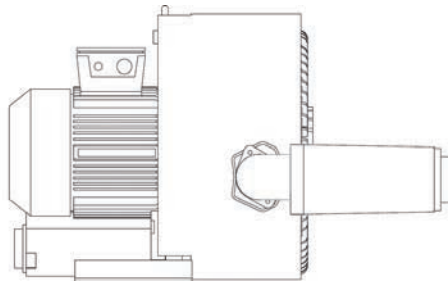
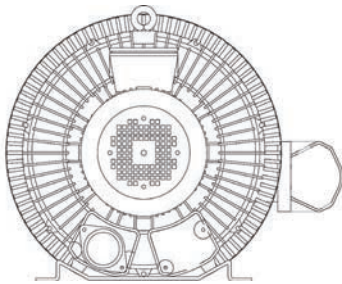




Type 6346



Type KB23.. - KB33.. - KB43.. - KB6355 & KB6375 -KB64.. - KB8310

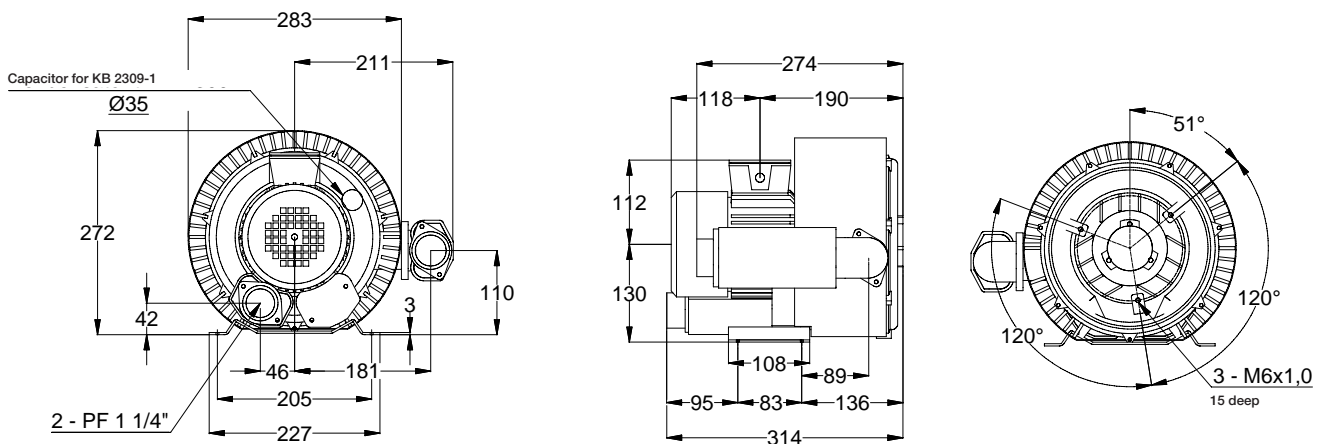


Special version

Specifications type KB 23..

Type no.		KB-2308	KB-2309-1
Phases		3	1
Output kW	50Hz	0.75	0.75
	60Hz	0.85	0.85
Voltage V	50Hz	208-255/360-440	220-240
	60Hz	250-306/432-528	264-288
Current Amp	50Hz	3.3/1.9	6.5
	60Hz	3.6/2.1	7
Vacuum mbar	50Hz	200	200
	60Hz	245	245
Pressure mbar	50Hz	240	240
	60Hz	245	245
Airflow m ³ /min	50Hz	1.5	1.5
	60Hz	1.8	1.8
Insulation class		F	F
Weight	Kg	17	17

The high quality grease used in the shield ball bearing (impeller side) resists high temperature for life time usage.
The high reliable grease sealed ball bearing (fan side) resists high temperature for motor coil.

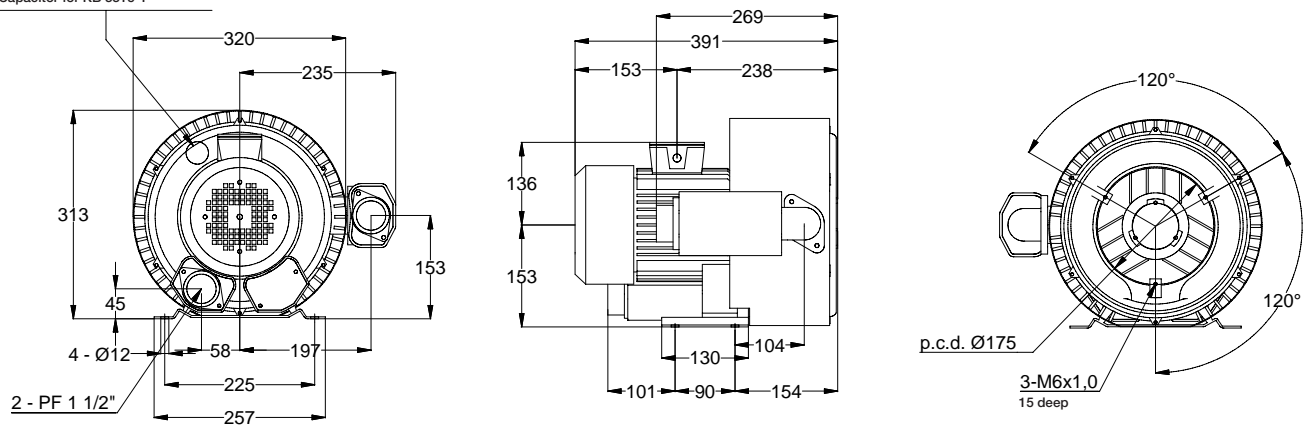


Type no.		KB-3315-1	KB-3319	KB-3326
Phases		1	3	3
Output kW	50Hz	1.5	1.75	2.2
	60Hz	1.75	1.9	2.6
Voltage V	50Hz	220-240	208-255/360-440	208-255/360-440
	60Hz	264-288	250-306/432-528	250-306/432-528
Current Amp	50Hz	12.3	6.7/3.9	7.8/4.5
	60Hz	13.0	7/4	9.5/5.5
Vacuum mbar	50Hz	250	275	280
	60Hz	275	300	350
Pressure mbar	50Hz	300	320	375
	60Hz	250	300	435
Airflow m ³ /min	50Hz	2.6	2.6	2.6
	60Hz	3.0	3.0	3.0
Insulation class		F	F	F
Weight	Kg	24	25	28

The high quality grease used in the shield ball bearing (impeller side) resists high temperature for life time usage.

The high reliable grease sealed ball bearing (fan side) resists high temperature for motor coil.

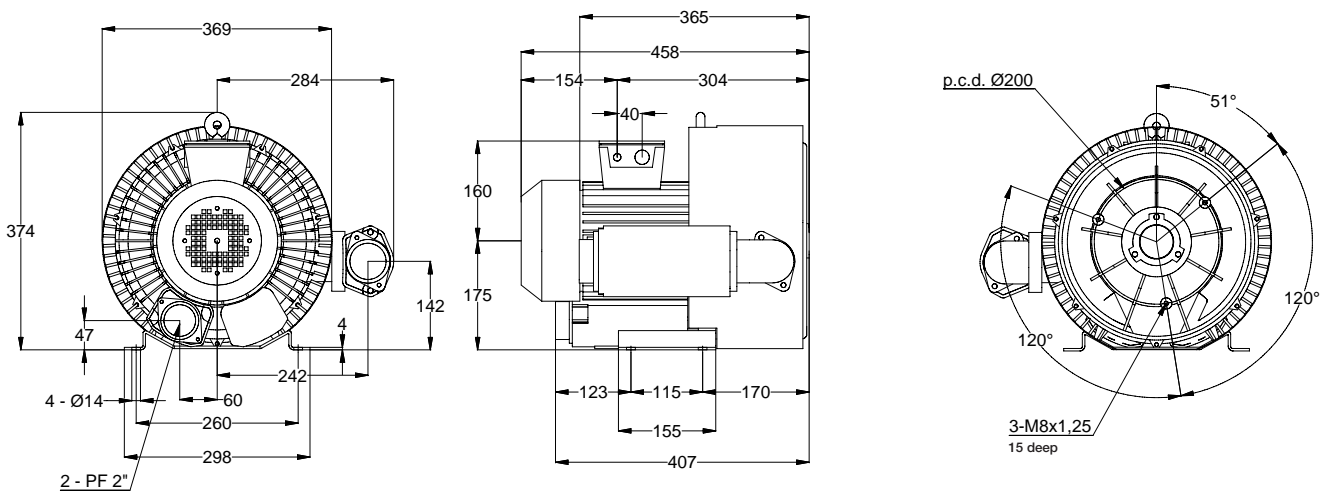
Capacitor for KB 3315-1



Specifications type KB 43..

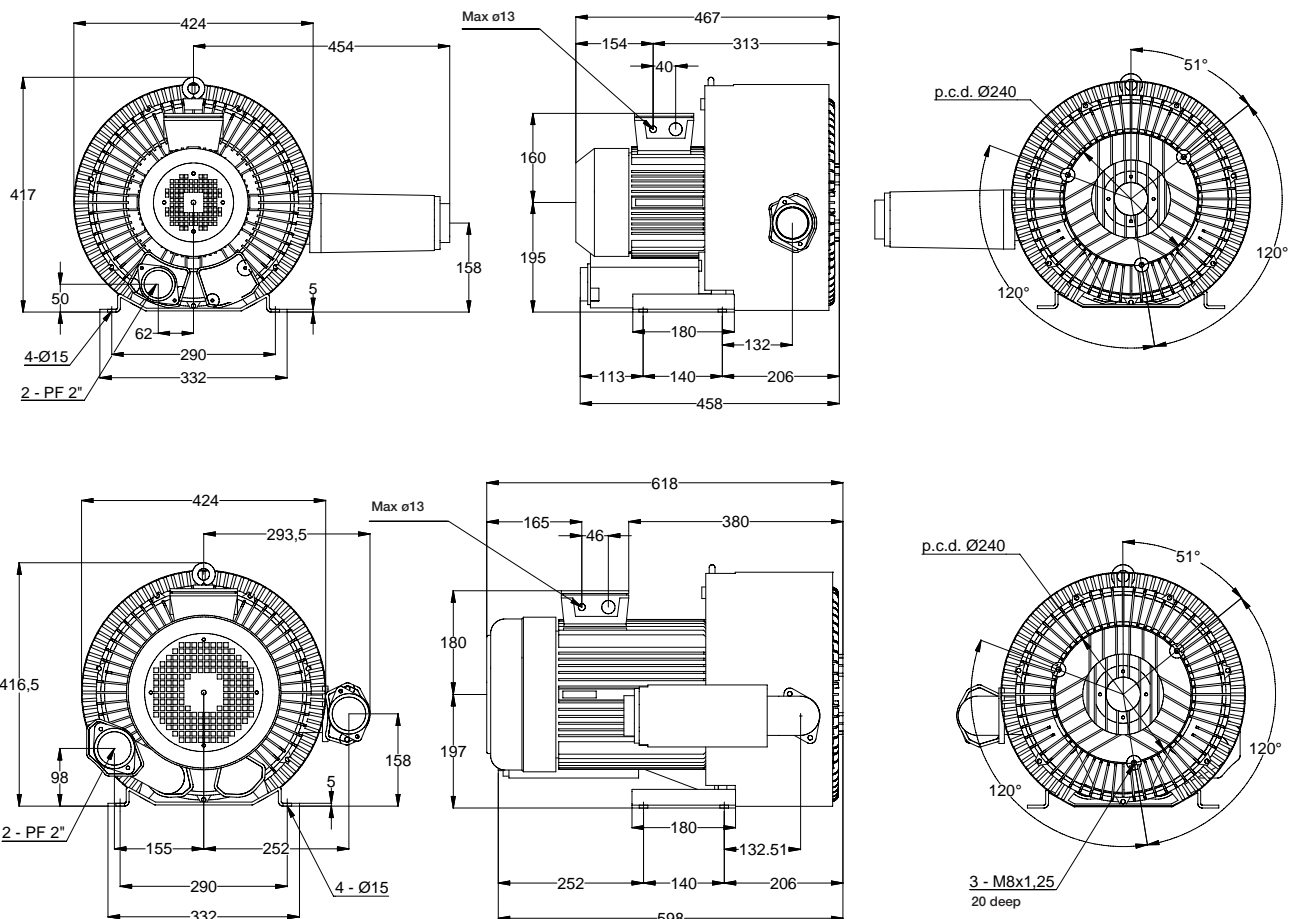
Type no.		KB-4337	KB-4346
Phases		3	3
Output kW	50Hz	3.4	4.0
	60Hz	3.7	4.6
Voltage V	50Hz	208-255/360-440	208-255/360-440
	60Hz	250-306/432-528	250-306/432-528
Current Amp	50Hz	12.5/7.2	14.3/8.2
	60Hz	13.5/7.8	16.2/9.3
Vacuum mbar	50Hz	345	355
	60Hz	405	410
Pressure mbar	50Hz	410	495
	60Hz	415	500
Airflow m ³ /min	50Hz	3.7	3.7
	60Hz	4.5	4.5
Insulation class		H	H
Weight	Kg	43	45

The high quality grease used in the shield ball bearing (impeller side) resists high temperature for life time usage.
The high reliable grease sealed ball bearing (fan side) resists high temperature for motor coil.



Type no.		KB-6346	KB-6355	KB-6375
Phases		3	3	3
Output kW	50Hz	4.0	5.5	7.5
	60Hz	4.6	6.3	8.6
Voltage V	50Hz	208-255/360-440	360-440/621-759	360-440/621-759
	60Hz	250-306/432-528	432-528/745-911	432-528/745-911
Current Amp	50Hz	14.3/8.2	12/6.9	15.6/9.0
	60Hz	16.2/9.3	15.3/8.8	19.6/11.3
Vacuum mbar	50Hz	360	410	420
	60Hz	380	425	450
Pressure mbar	50Hz	380	515	580
	60Hz	380	530	675
Airflow m ³ /min	50Hz	5.2	5.2	5.2
	60Hz	6.2	6.2	6.2
Insulation class		H	H	H
Weight	Kg	55	72	81

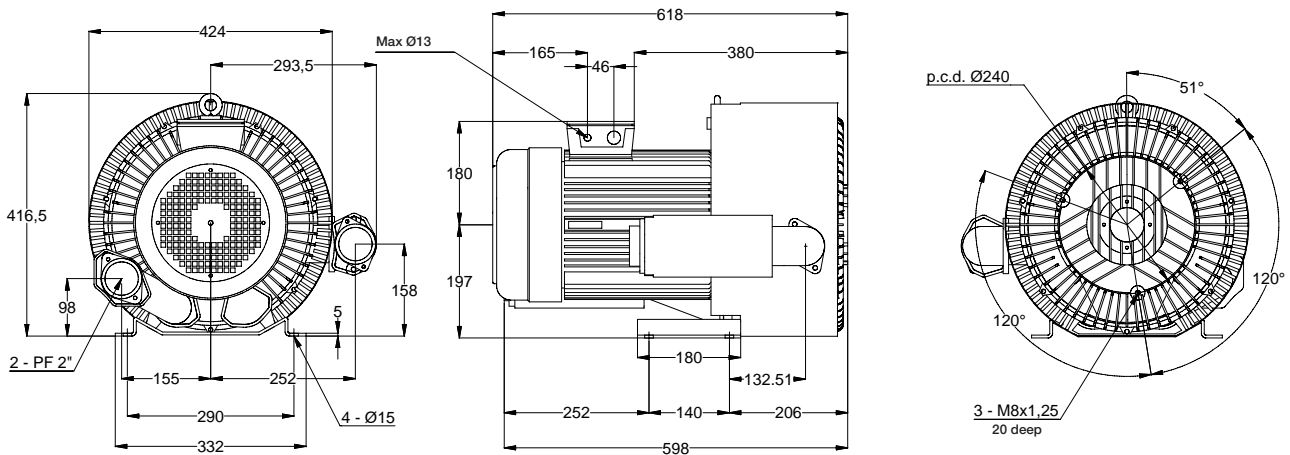
The high quality grease used in the shield ball bearing (impeller side) resists high temperature for life time usage.
The high reliable grease sealed ball bearing (fan side) resists high temperature for motor coil.



Specifications type KB 64..

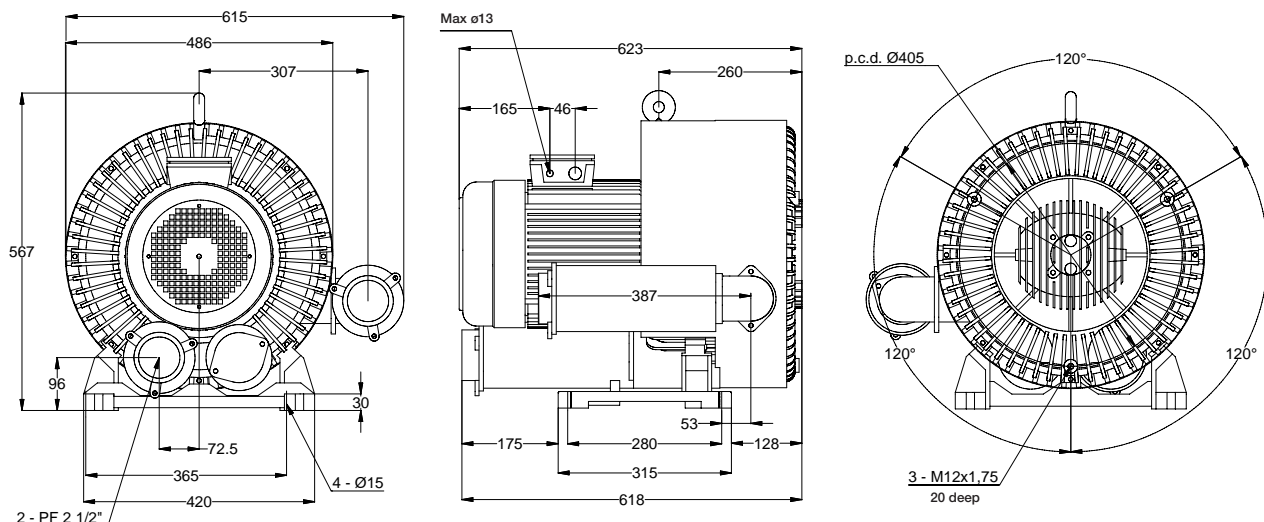
Type no.		KB-6455	KB-6475
Phases		3	3
Output kW	50Hz	5.5	7.5
	60Hz	6.3	8.0
Voltage V	50Hz	360-440/621-759	360-440/621-759
	60Hz	432-528/745-911	432-528/745-911
Current Amp	50Hz	12/6.9	15.6/9.0
	60Hz	15.3/8.8	19.6/11.3
Vacuum mbar	50Hz	200	240
	60Hz	200	260
Pressure mbar	50Hz	220	270
	60Hz	220	270
Airflow m ³ /min	50Hz	7.8	7.8
	60Hz	9.2	9.2
Insulation class		H	H
Weight	Kg	70	81

The high quality grease used in the shield ball bearing (impeller side) resists high temperature for life time usage.
The high reliable grease sealed ball bearing (fan side) resists high temperature for motor coil.



Type no.		KB-8310	KB-8315	KB-8320
Phases		3	3	3
Output kW	50Hz	7.5	11	16
	60Hz	8.6	13	19
Voltage V	50Hz	360-440/621-759	360-440/621-759	360-440/621-759
	60Hz	432-528/745-911	432-528/745-911	432-528/745-911
Current Amp	50Hz	15.6/9.0	27/15.6	39/22.5
	60Hz	19.6/11.3	30/17.3	42/24.3
Vacuum mbar	50Hz	320	430	450
	60Hz	320	455	650
Pressure mbar	50Hz	320	600	700
	60Hz	320	600	780
Airflow m ³ /min	50Hz	9.6	9,6	9,6
	60Hz	10.9	10,9	10,9
Insulation class		H	H	H
Weight	Kg	112	142	160

The high quality grease used in the shield ball bearing (impeller side) resists high temperature for life time usage.
The high reliable grease sealed ball bearing (fan side) resists high temperature for motor coil.

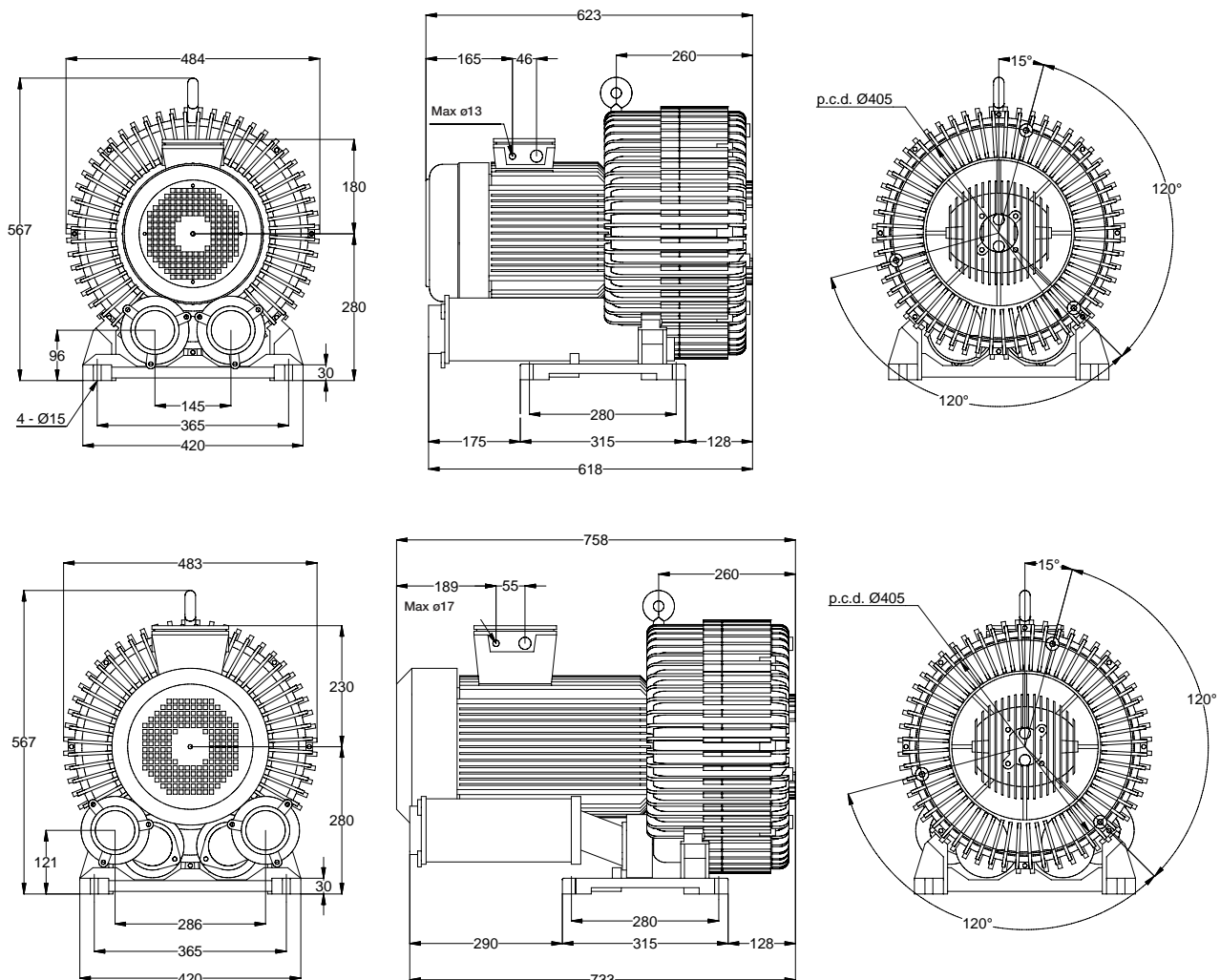


Specifications type KB 84..

Type no.		KB-8410	KB-8415
Phases		3	3
Output kW	50Hz	7,5	11
	60Hz	8,6	13
Voltage V	50Hz	360-440/621-759	360-440/621-759
	60Hz	432-528/745-911	432-528/745-911
Current Amp	50Hz	27/15,6	46,8/27
	60Hz	34/19,6	52/30
Vacuum mbar	50Hz	150	260
	60Hz	150	260
Pressure mbar	50Hz	150	260
	60Hz	150	260
Airflow m ³ /min	50Hz	14,2	14,2
	60Hz	16,5	16,5
Insulation class		H	H
Weight	Kg	110	140

The high quality grease used in the shield ball bearing (impeller side) resists high temperature for life time usage.

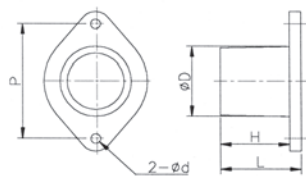
The high reliable grease sealed ball bearing (fan side) resists high temperature for motor coil.



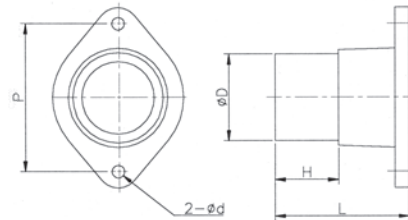
For hose pipe

Type no.	D	d	H	L	P	Drawing	For type
	mm	mm	mm	mm	mm	mm	
1-OD-32	32	5.5	29	35	50	1	KB-1...
2-OD-32	32	6	31	38	64	1	KB-2..., KB-23...
2-OD-37	37	6	31	38	64	1	KB-2..., KB-23...
3-OD-44	44	6	37	44	67	1	KB-3..., KB-33...
3-OD-51	51	6	31	38	67	1	KB-3..., KB-33...
4-OD-50	50	7	44	52	82	1	KB-4..., KB-5..., KB-6..., KB-43..., KB-63..., KB-64...
4-OD-57	57	7	58	65	82	1	KB-4..., KB-5..., KB-6..., KB-43..., KB-63..., KB-64...
3-OD-44-2	44	7	28	57	67	2	KB-3..., KB-33...
3-OD-55-2	55	7	52	105	67	2	KB-3..., KB-33...

Drawing 1



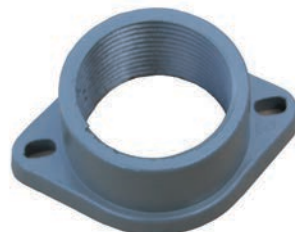
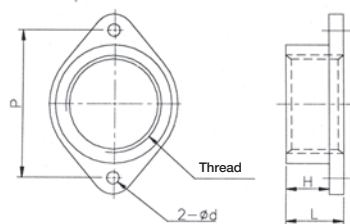
Drawing 2



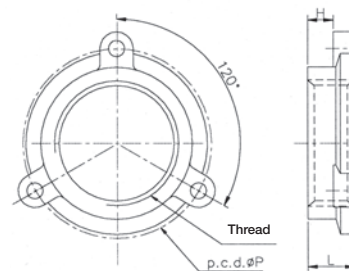
For thread pipe

Type no.	Thread	d	H	L	P	Drawing	For type
	PF(USA pf)	mm	mm	mm	mm	mm	
1-T10	1"	5,5	18	23	50	3	KB-1...
2-T12	1 1/4"	6	22	29	64	3	KB-2..., KB-23...
3-T15	1 1/2"	6	24	31	67	3	KB-3..., KB-33...
5-T20	2"	7	18	25	82	3	KB-4..., KB-5..., KB-6..., KB-43..., KB-63..., KB-64
7-T25	2 1/2"	7	16	31	130	4	KB-7..., KB-8..., KB-83..., KB-84...
9-T40	4"	9	29	36	150	3	KB-9...

Drawing 3

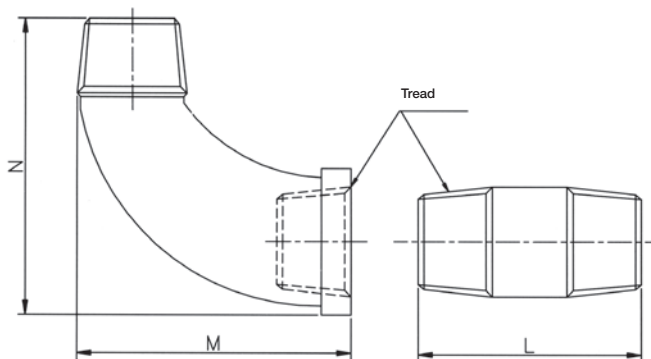
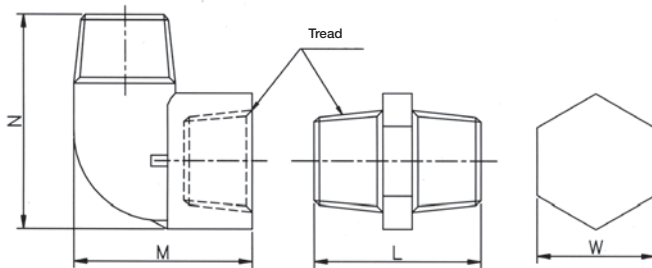
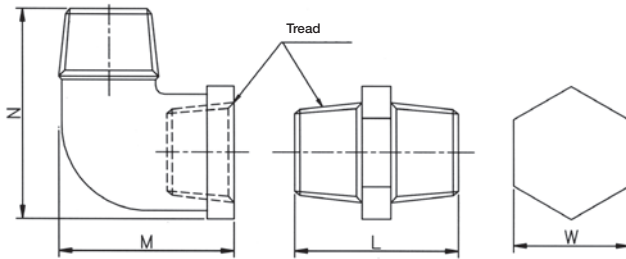


Drawing 4

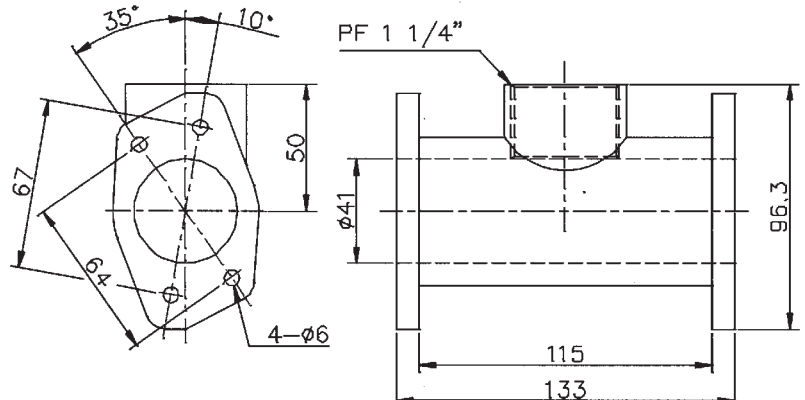


Bend for filter

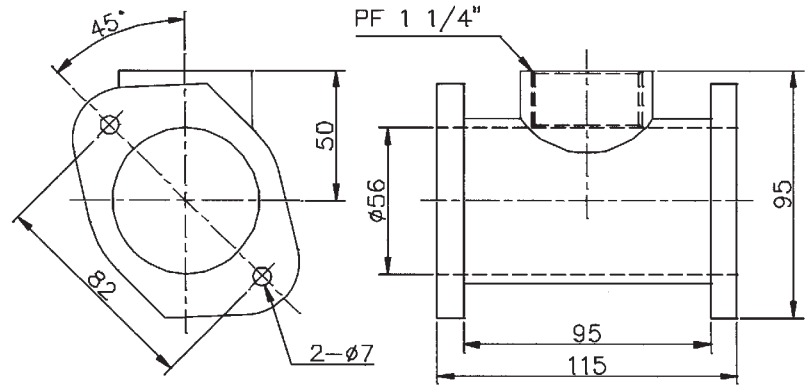
Type no.	Thread	L	M	N	W	Material	For type
	Inch	mm	mm	mm	mm		
BC-10	PT-1"	52	52	73	38	Cast Iron	KB-1...
BC-12	PT-1 1/4"	56	65	90	47	Cast Iron	KB-2..., KB-23..
BC-15	PT-1 1/2"	60	73	97	54	Cast Iron	KB-3..., KB-33..
BA-15	PT-1 1/2"	100	110	115	-	Cast aluminium	KB-3..., KB-33..
BA-20	PT-2"	82	132	139	-	Cast aluminium	KB-4..., KB-5..., KB-6..., KB-43..., KB-63..., KB-64..
BC-20	PT-2"	67	85	120	65	Cast Iron	KB-4..., KB-5..., KB-6..., KB-43..., KB-63..., KB-64..
BP-20	PT-2"	75	90	110	67	Plastic	KB-4..., KB-5..., KB-6..., KB-43..., KB-63..., KB-64..
BC-25	PT-2 1/2"	76	105	137	82	Cast Iron	KB-7..., KB-8..., KB-83., KB-84..
BC-40	PT-4"	96	165	233	121	Cast Iron	KB-9...



Type TB01, suitable for type KB-2..., KB-3...



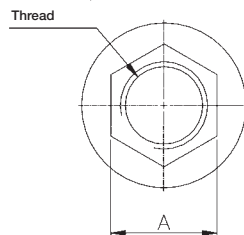
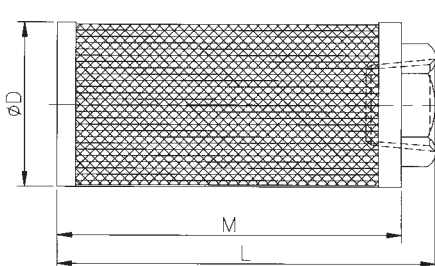
Type TB02, suitable for type KB-4..., KB-5... and KB-6



Inlet air filter

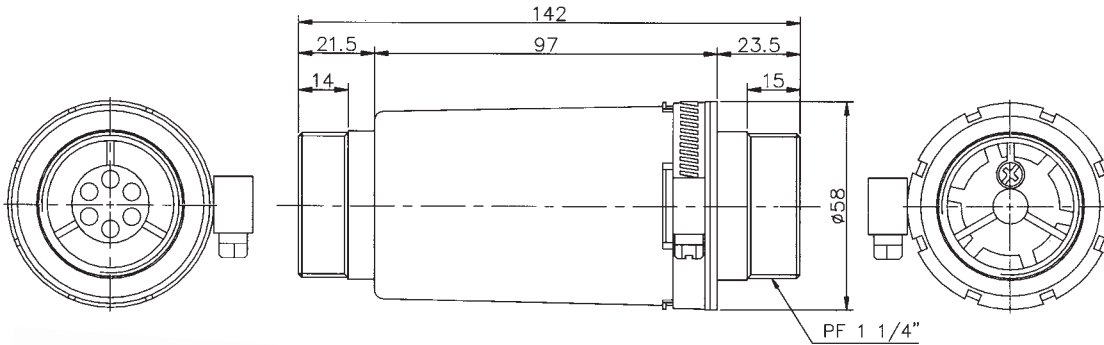
If inlet does not connect any pipe, a filter with large area should be installed at suction inlet

Type no.	Screw	A	D	L	M	Filtration-mesh	Air flow	For type
	PT	mm	mm	mm	mm		l/min	
MF-08	1"	42	58	170	155	100	110	KB-1...
MF-10	1 1/4"	54	71	186	170	100	210	KB-2..., KB-23..
MF-12	1 1/2"	65	85	196	182	100	285	KB-3..., KB-33..
MF-16	2"	75	103	215	202	100	395	KB-4..., KB-5..., KB-6..., KB-43.., KB-63.., KB-64..
MF-20	2 1/2"	97	148	274	252	100	750	KB-7..., KB-8..., KB-83.., KB84..
MF-32	4"	142	208	380	357	100	1000	KB-9...



Adjustable pressure & vacuum relief valve PVC

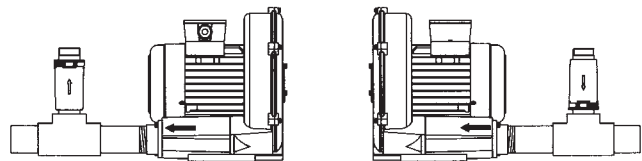
Type no.	Screw	Range mbar	For type
RV-01 (RV-03)	PF-1 1/4"	0-300	See page 24 and 25
RV-02	PF-1 1/4"	300-600	See page 24 and 25



Relief Valve

Over pressure shall be avoided in closed piping loop for side channel compressor/vacuum pump, otherwise deformation and break may occur to side channel compressor/vacuum due to temperature raise or overload. Adjustable pressure and vacuum relief valve shall be installed to protect motor.

2 in 1 model

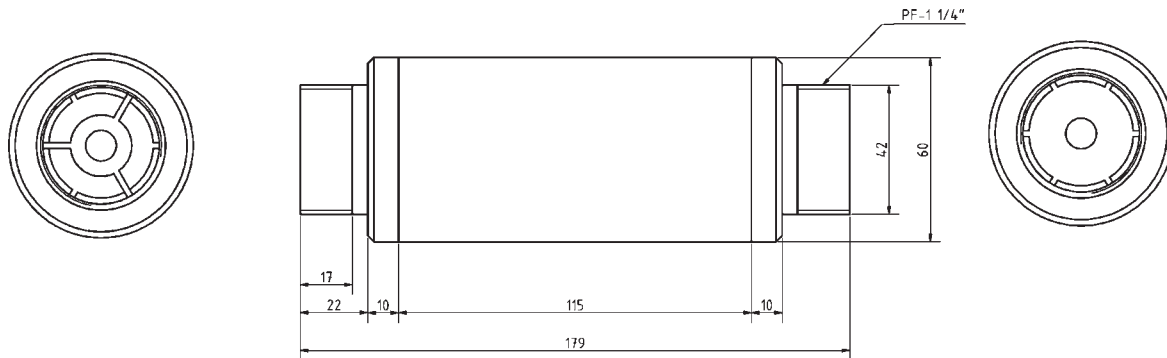


Application:

- Used in side channel blower (ring blower) and suitable for both pressure and vacuum use
- Static pressure setting easily adjustable
- Connect thread suitable for PT, PF and NPT 1 1/4"
- Durable operation temperature: -10° C to +120° C
- Keep away from grease and volatile oil/gas

Adjustable pressure & vacuum relief valve ALU

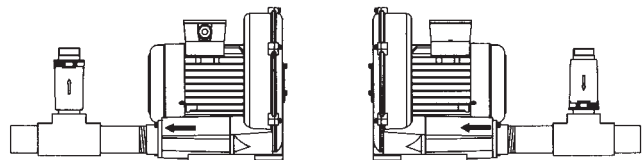
Type no.	Screw	Interval mbar	For type
RV-A03	PF-1 1/4"	0-300	See page 24 and 25
RV-A36	PF-1 1/4"	300-600	See page 24 and 25



Relief Valve

Over pressure shall be avoided in closed piping loop for side channel compressor/vacuum pump, otherwise deformation and break may occur to side channel compressor/vacuum due to temperature raise or overload. Adjustable pressure and vacuum relief valve shall be installed to protect motor.

2 in 1 model



Application:

- Used in side channel blower (ring blower) and suitable for both pressure and vacuum use
- Static pressure setting easily adjustable
- Connect thread suitable for PT, PF and NPT 1 1/4"
- Durable operation temperature: -10° C to +120° C
- Keep away from grease and volatile oil/gas

Silencer

Type no.	Screw	For type
SI-2	2"	KB-1... - KB-6...
SI-3	3"	KB-7... - KB-8...



Application:

- Reducing noise level
- Used in side channel blower (ring blower) and suitable for both pressure and vacuum use
- Static pressure setting easily adjustable
- Connect thread suitable for PT, PF and NPT 1 1/4"
- Durable operation temperature: -20° C to +140° C
- Keep away from grease and volatile oil/gas